

400MM SLIMLINE WC UNIT

FITTED FURNITURE INSTALLATION GUIDE

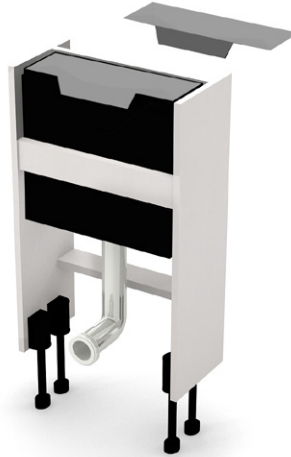
Due to the ultra-compact design of this WC Unit it is strongly recommended that it is only installed in conjunction with the Calypso 3099 Compact Cistern (illustrated) which will suit Back-to-Wall, Wall Hung (when installed using the Calypso 3179 Wall Hang Frame) and most Comfort Height installations.

SET-UP



TOP TIP

If installing a Wall Hung WC with the 3179 Wall Hang Frame the WC carcass will need to be wall hung and the carcass legs removed.



TOP TIP

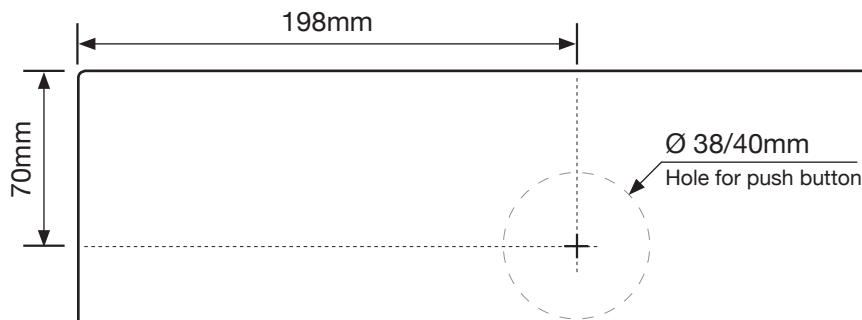
To allow for button access the cistern lid should be discarded.



TOP TIP

The position of the push-button is important. Please refer to the drilling guide below.

UPPER PANEL DRILLING GUIDE



TOP TIP

This drilling guide is for use only in conjunction with the Calypso 3099 compact cistern.

