



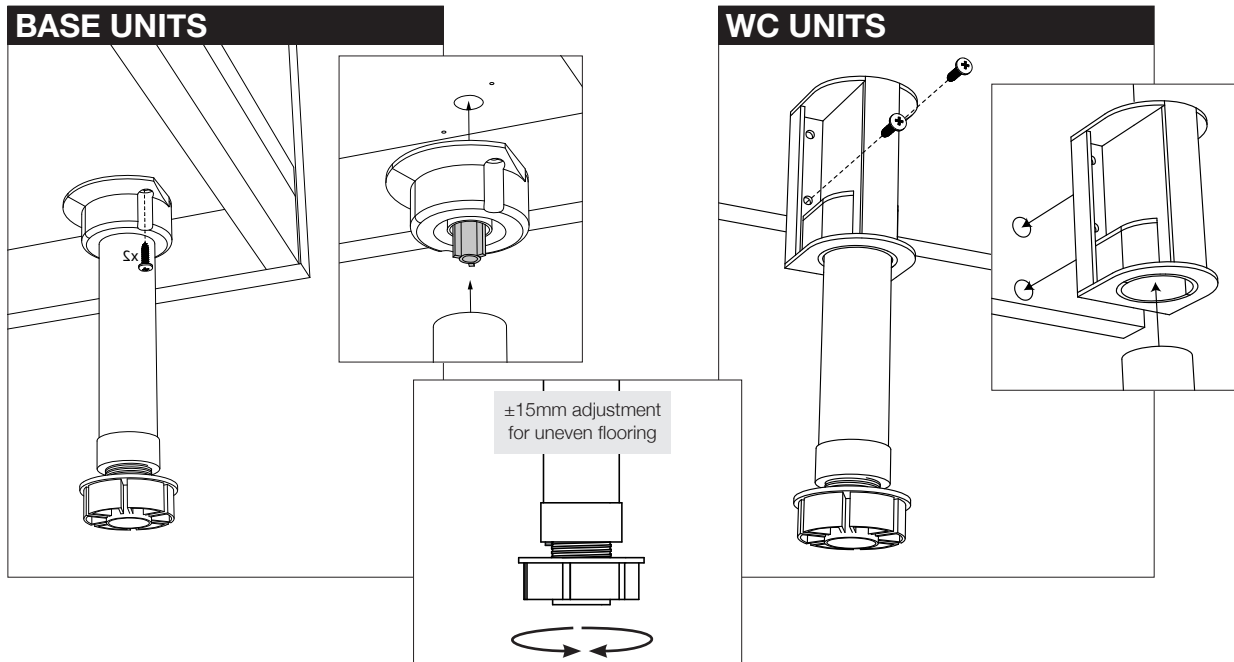
# Bowland | Fitting Instructions

## Calypso Bathroom Furniture



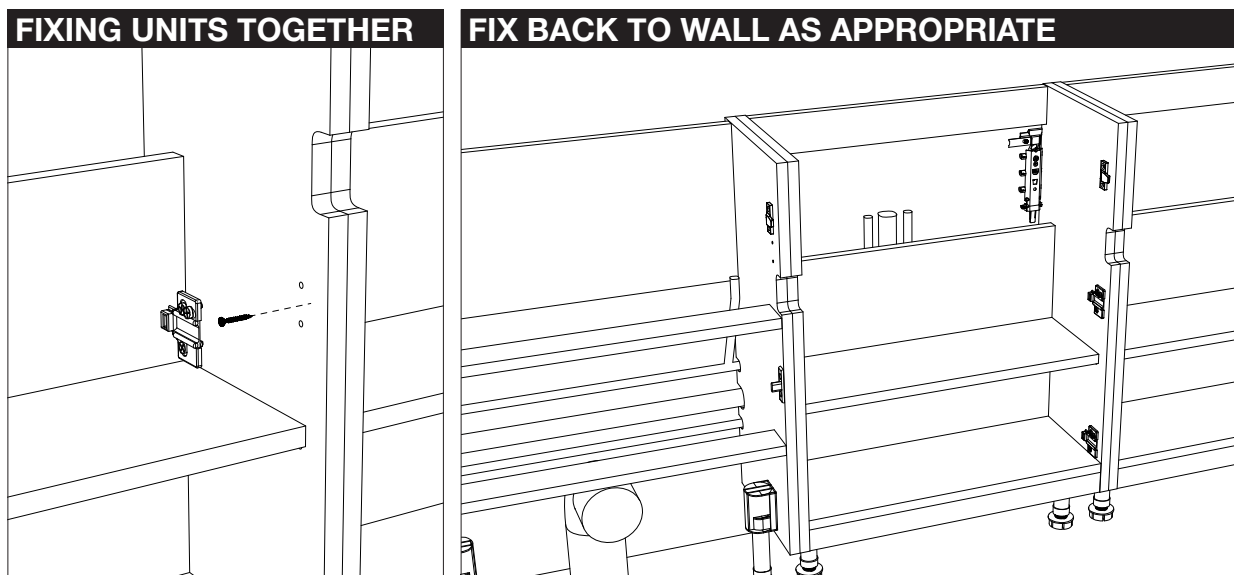
Remove all base units from packaging and remove any drawers.

Fit legs to underside of each unit and stand them against the wall in the position they are to be installed.



Before joining any units together in a run we recommend cutting around any pipework as required.

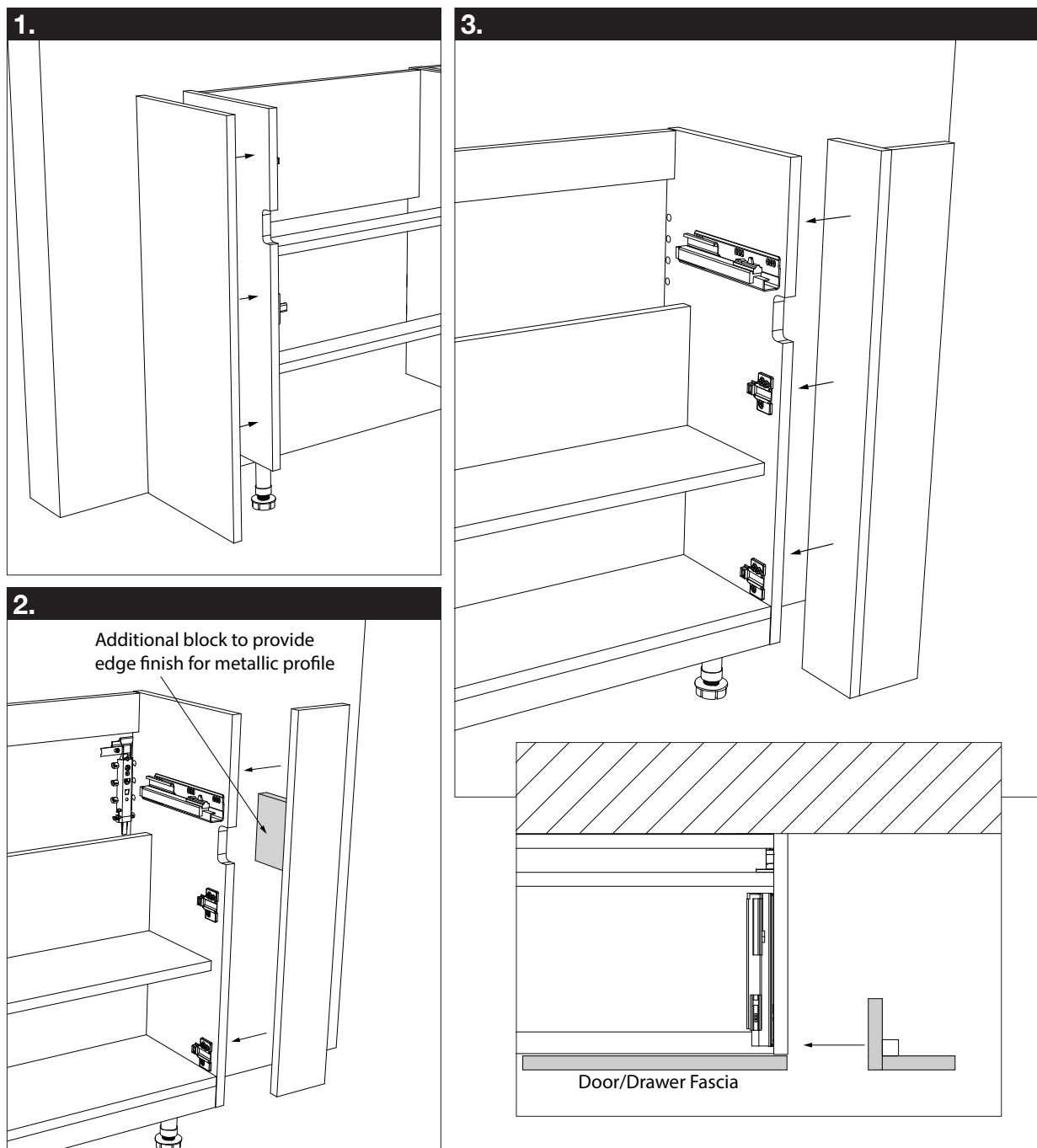
Fix units in a run together using screws hidden behind hinge positions or drawer runners. Make sure all units are level and upright.



All runs of units will be finished either with an end clad or infill panel.

End clads reach the floor and we recommend infill panels are cut to finish flush with the bottom of the door or drawer unit leaving the plinth to run through to the wall. (A further option using floor reaching panels is also shown).

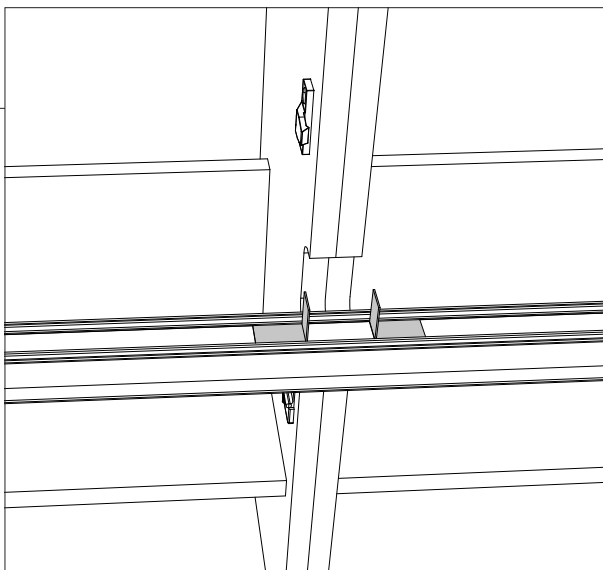
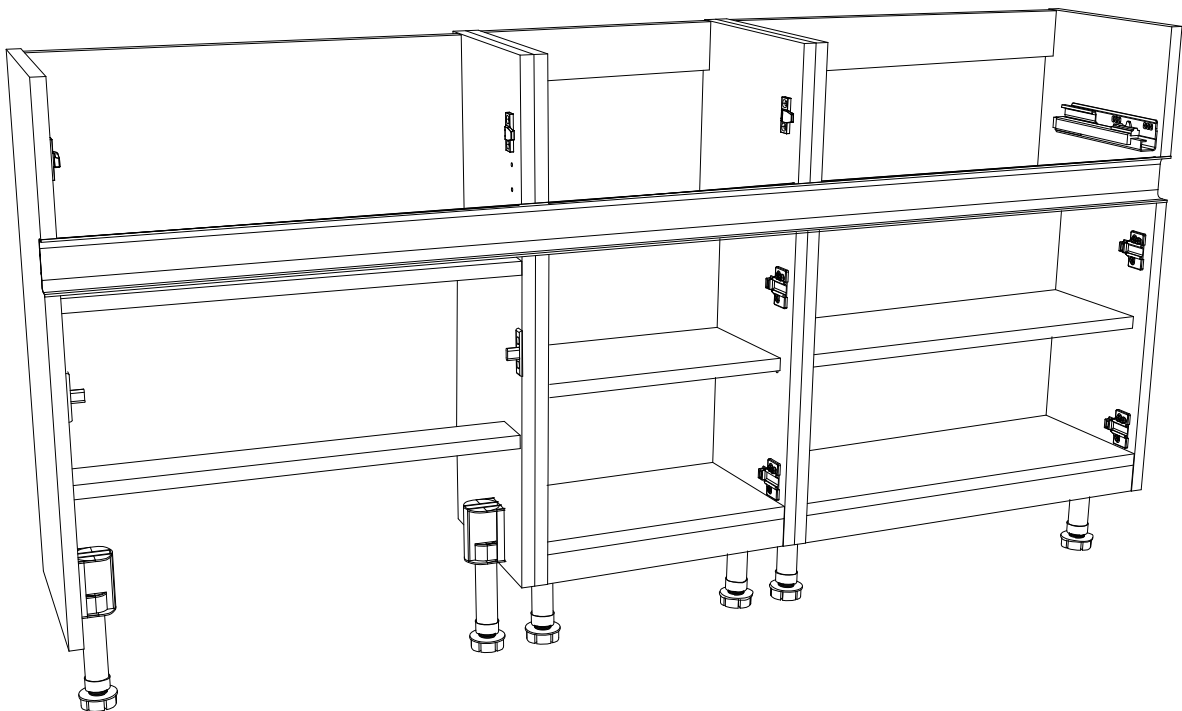
1. End clad on exposed run ends.
2. Infill panel to wall, flush with bottom of carcass allowing the plinth to run through.
3. L-Shape infill to floor.



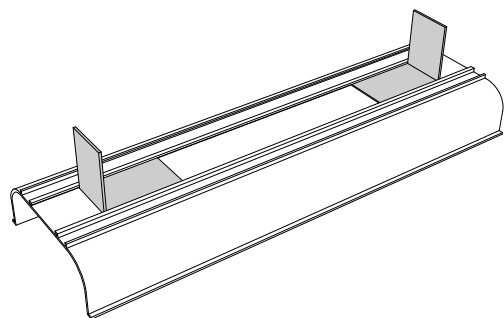
Profiles are supplied in lengths of 1250mm or 2500mm.

The profile should be cut to overall length of the run of carcasses - that is, between end clads and/or infill.

### CUTTING PROFILES FROM CARCASS OUTER EDGES

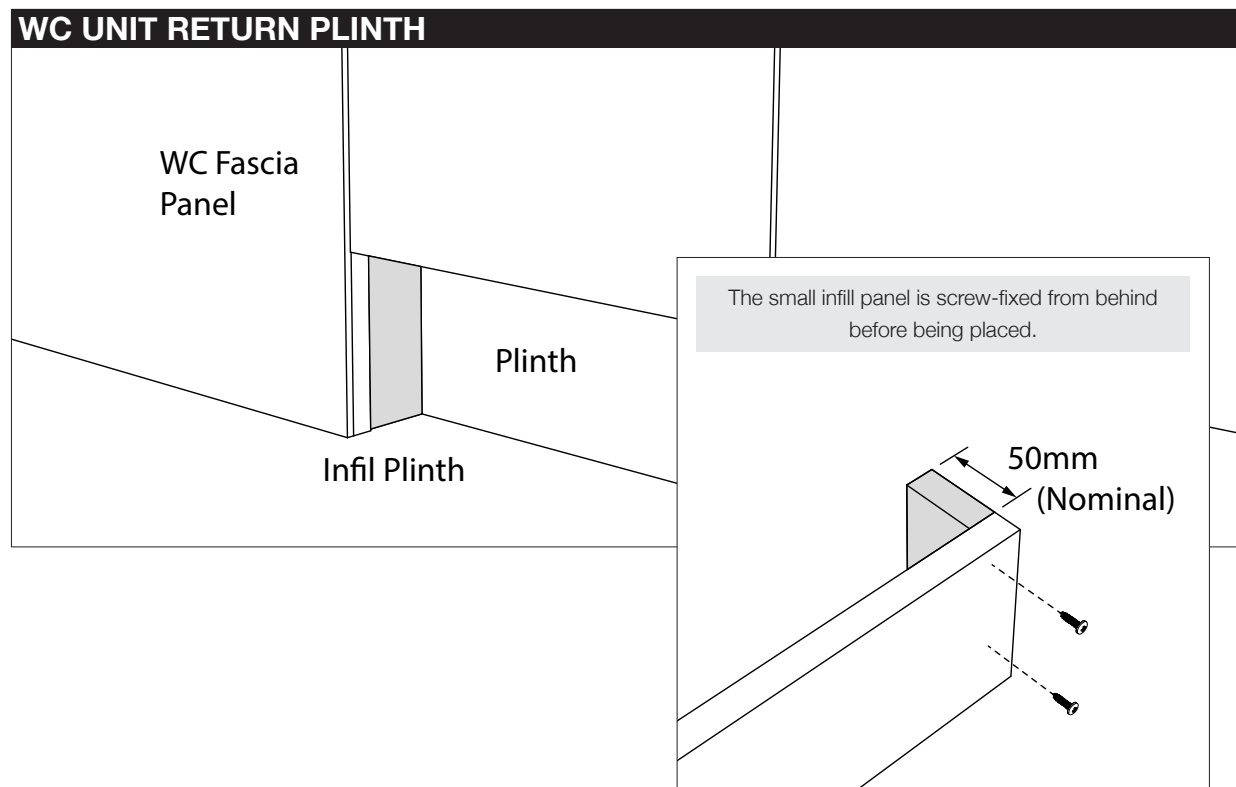
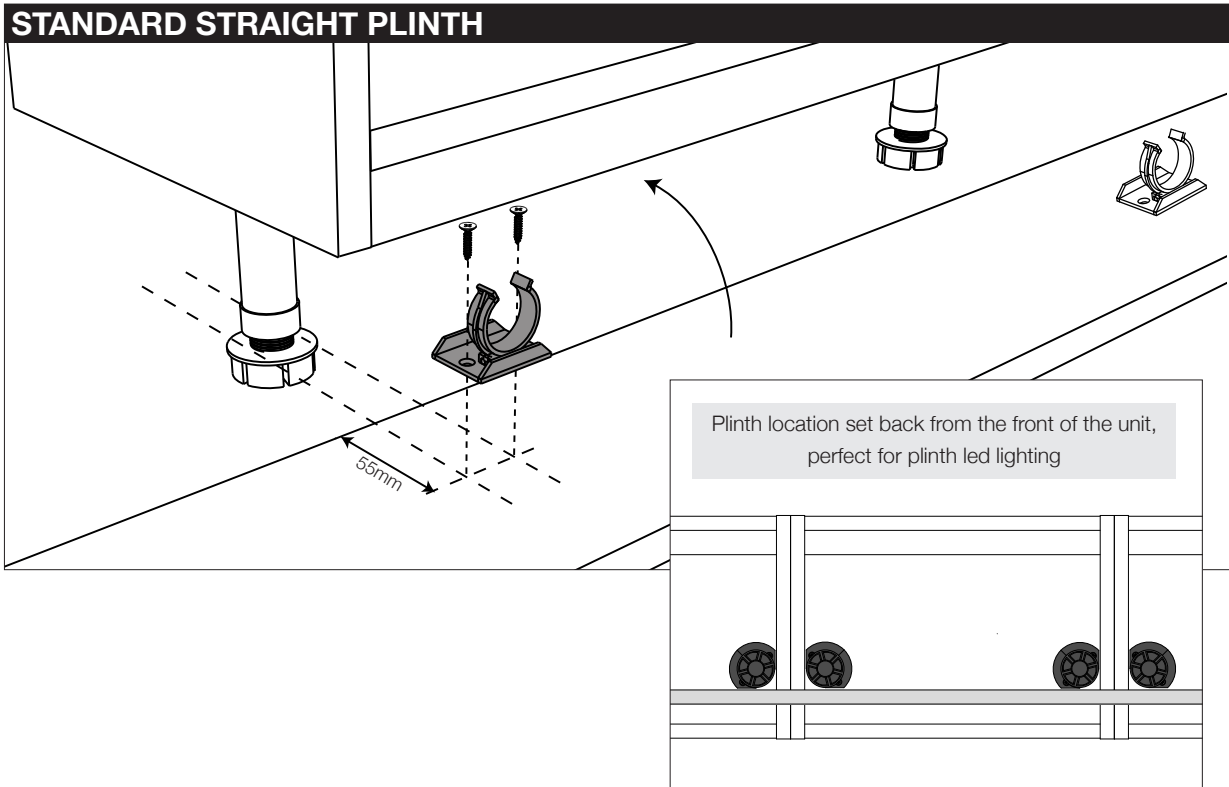


The profile can be secured to the carcass with clips which slot into the rear of the profile

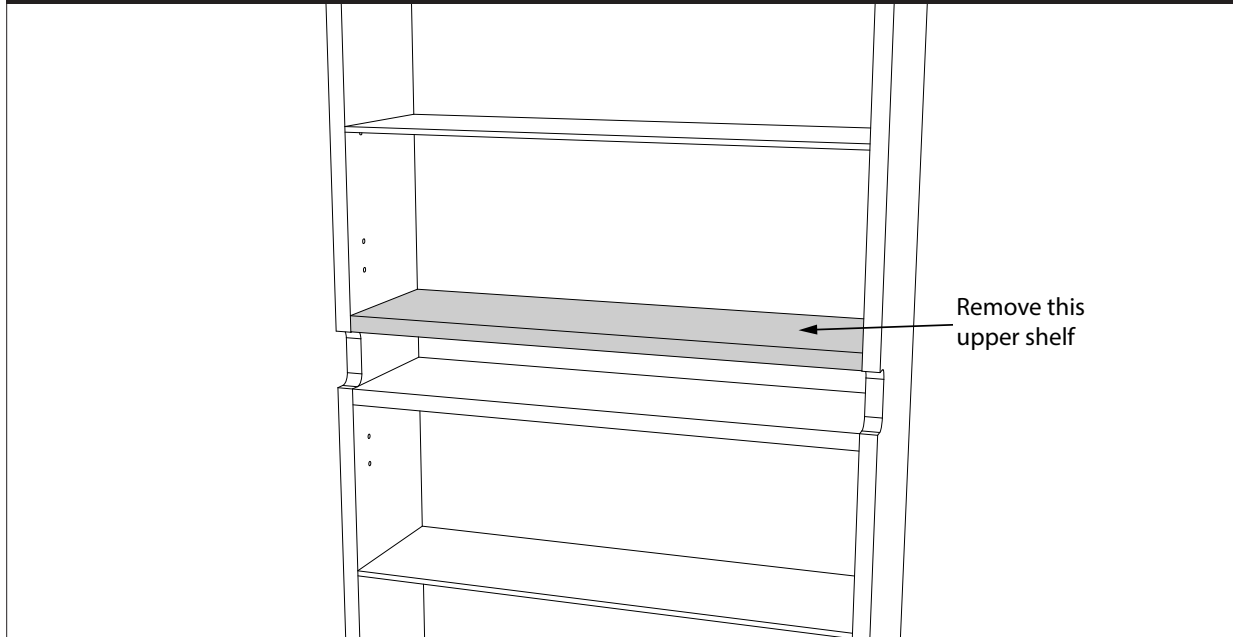


Plinths should be measured and cut to fit between cladding panels or walls.

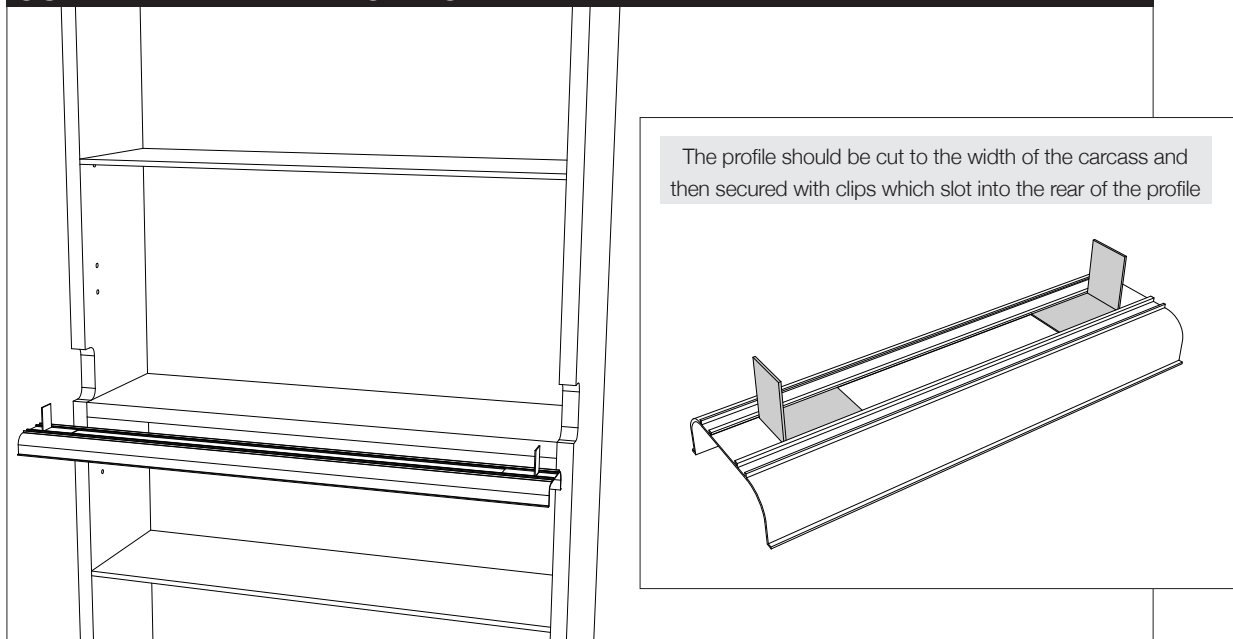
If there is a WC Unit in the run, the plinth will stop either side of the unit and will require a small infill plinth to be cut and fitted behind the WC lower panel.



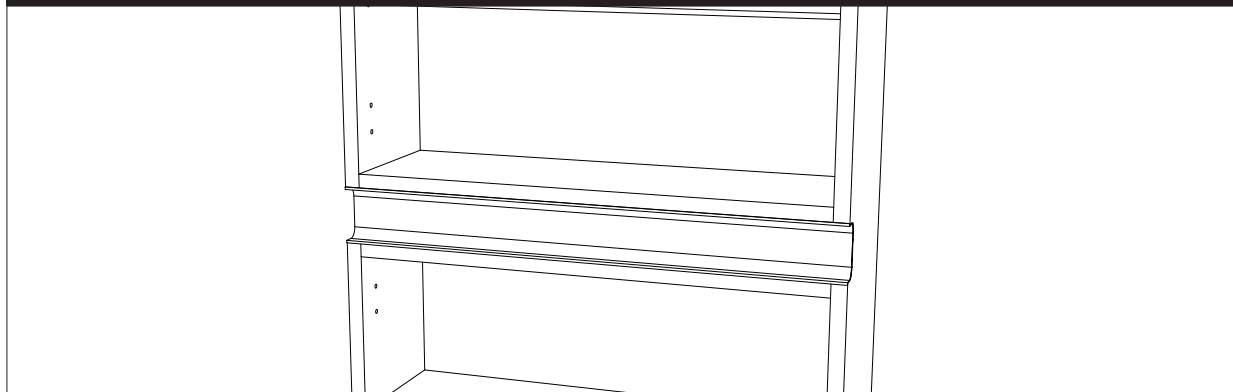
## REMOVE SHELF



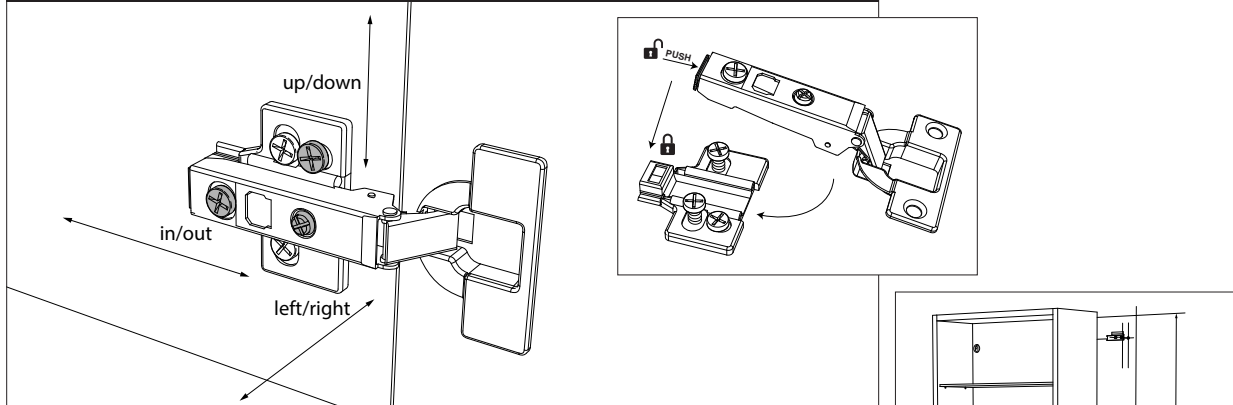
## CUT AND FIT METALLIC PROFILE



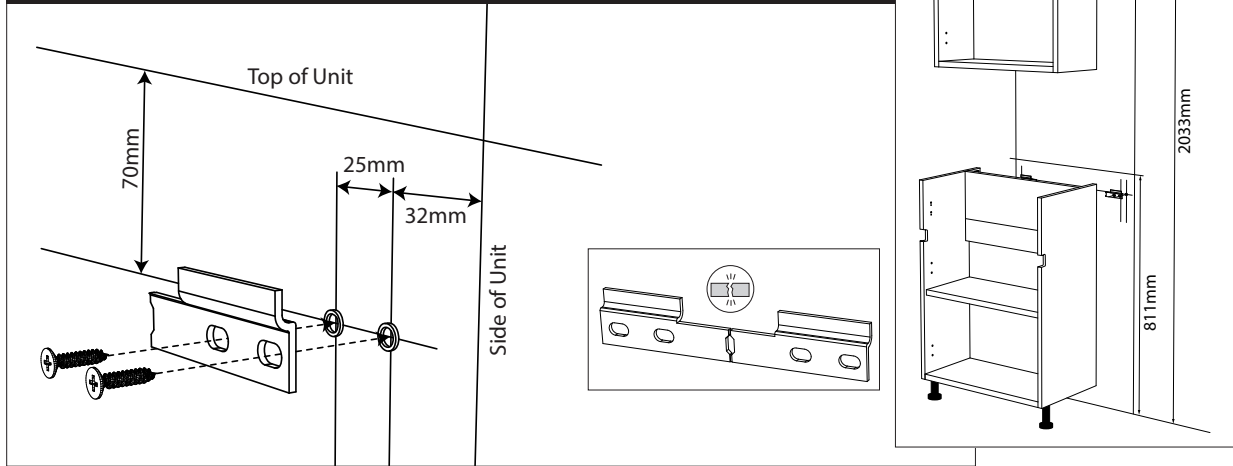
## RE-FIT SHELF



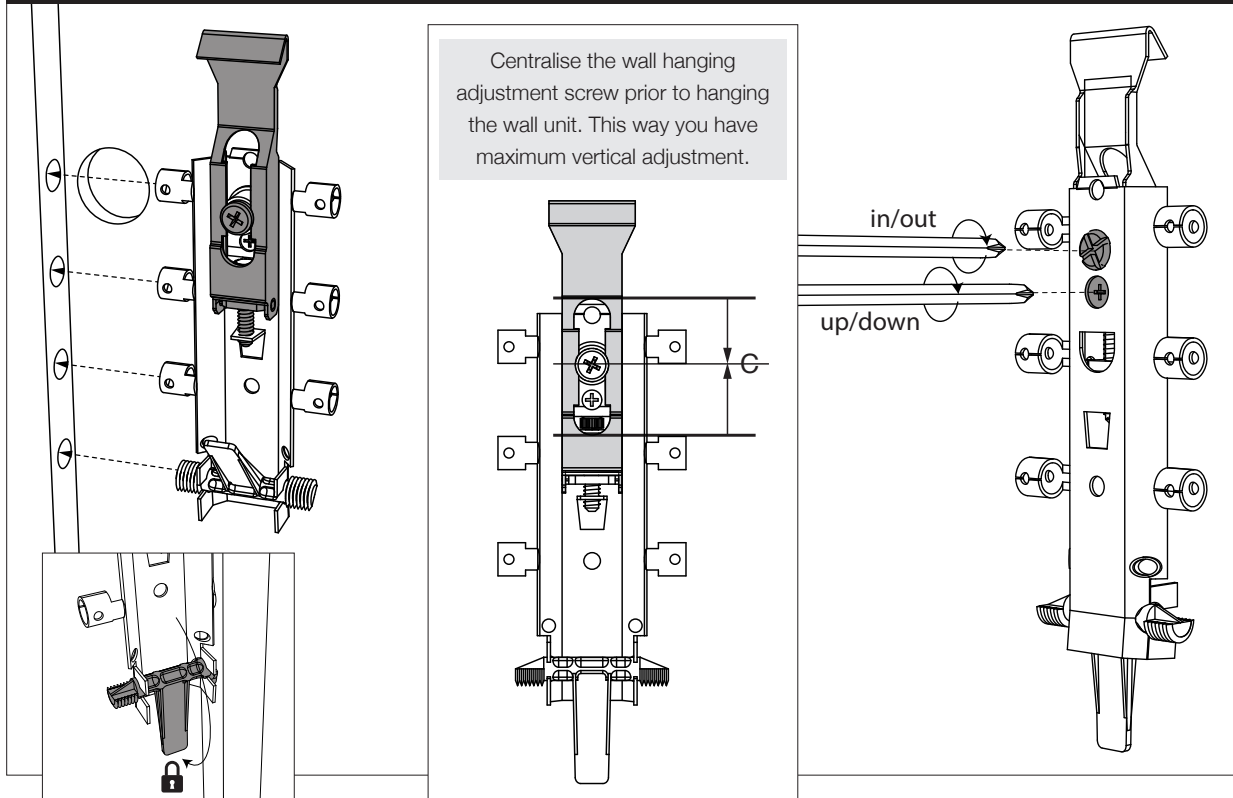
## SOFT CLOSE HINGE ADJUSTMENT



## HANGING PLATES

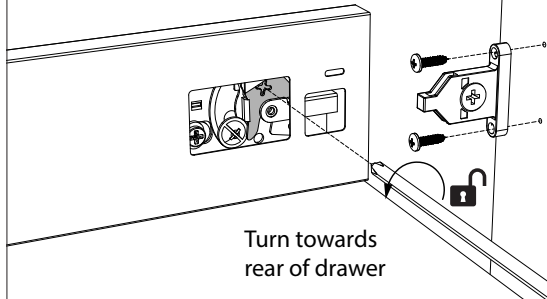


## HANGING BRACKETS & LEVELLING

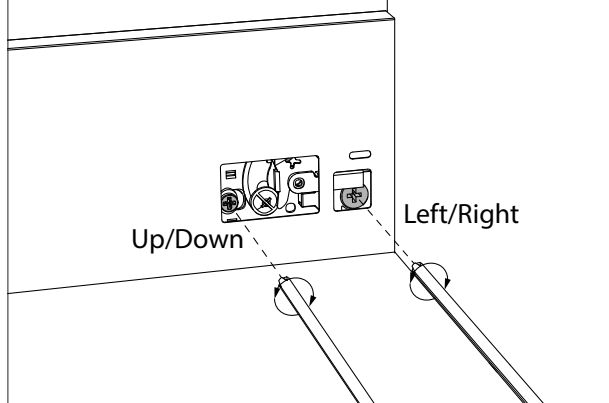


### TOP HAT & FASCIA ATTACHMENT

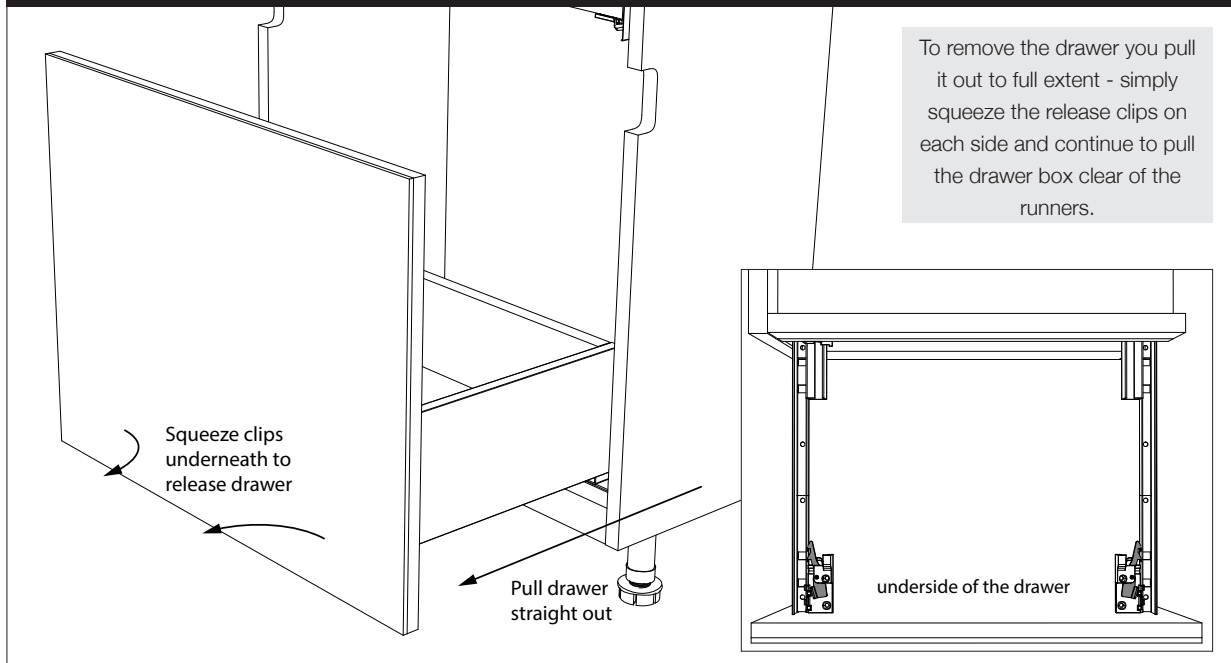
You will find the 'top hat' within the drawer box side.



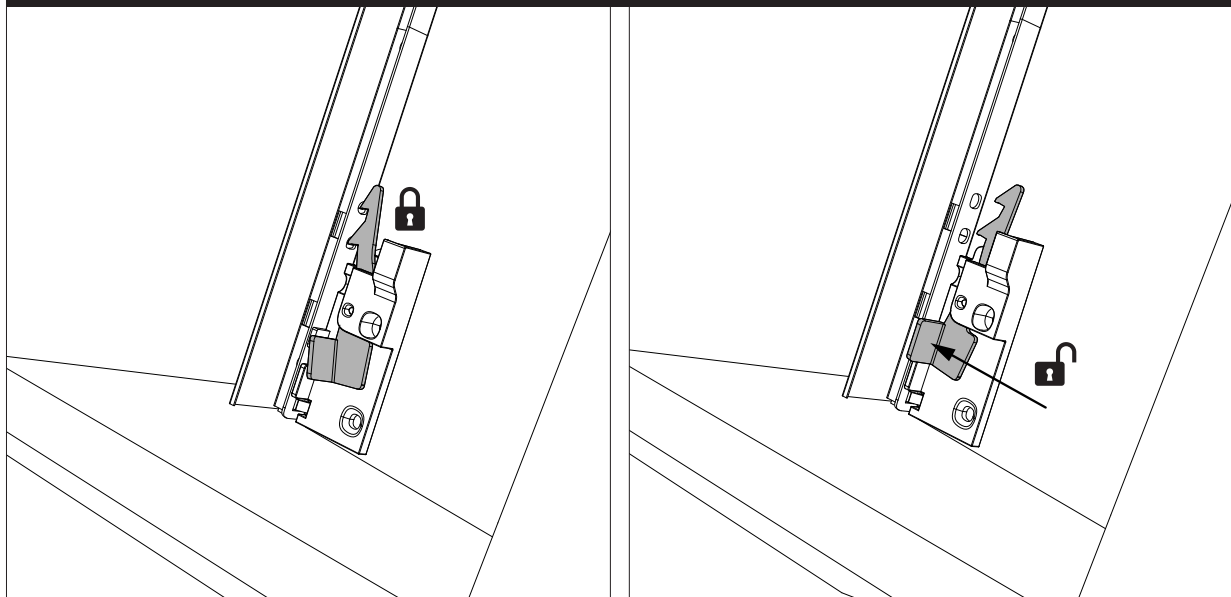
### DRAWER ADJUSTMENT



### DRAWER REMOVAL & REPLACEMENT



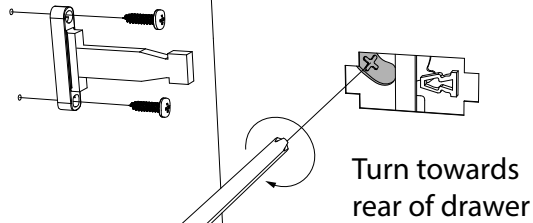
### DRAWER REMOVAL & REPLACEMENT (UNDERSIDE OF THE DRAWER)



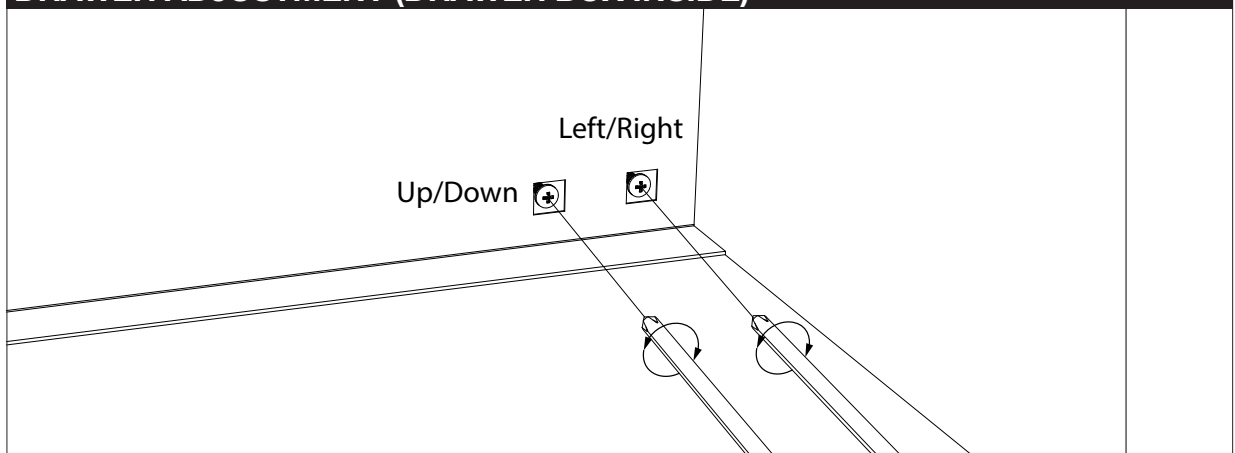


### TOP HAT & FASCIA ATTACHMENT (DRAWER BOX OUTSIDE)

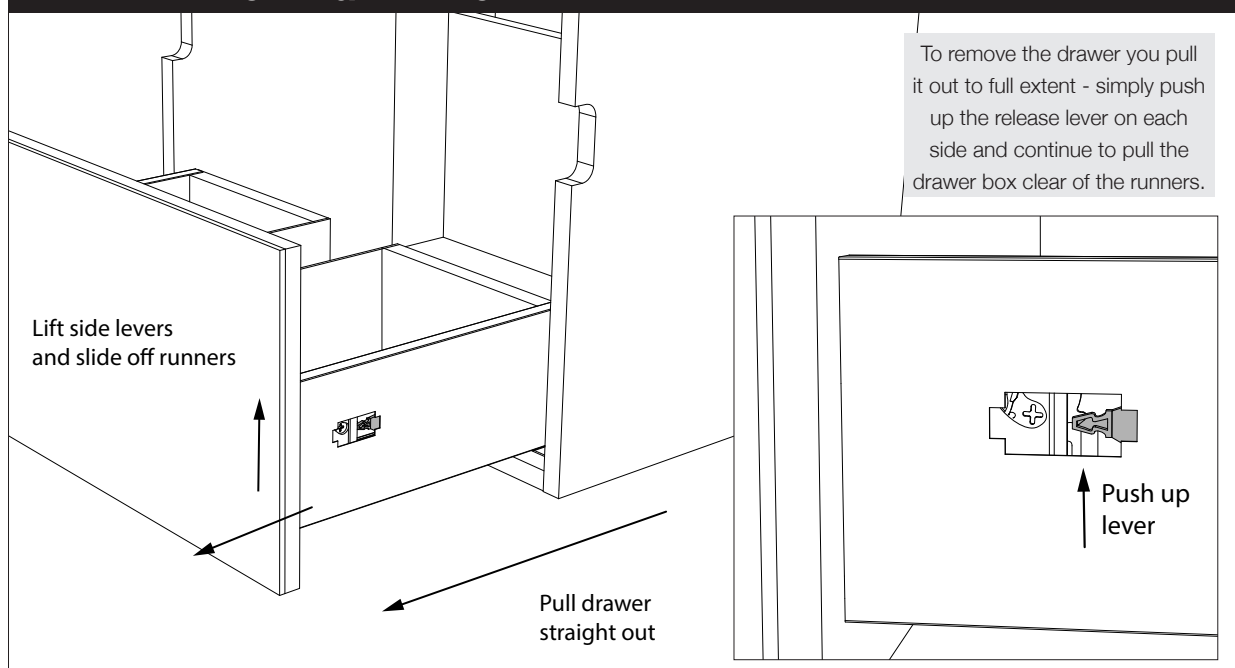
You will find the 'top hat' within the drawer box side.



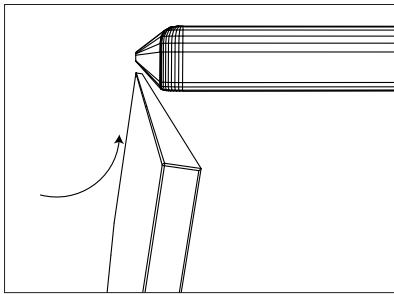
### DRAWER ADJUSTMENT (DRAWER BOX INSIDE)



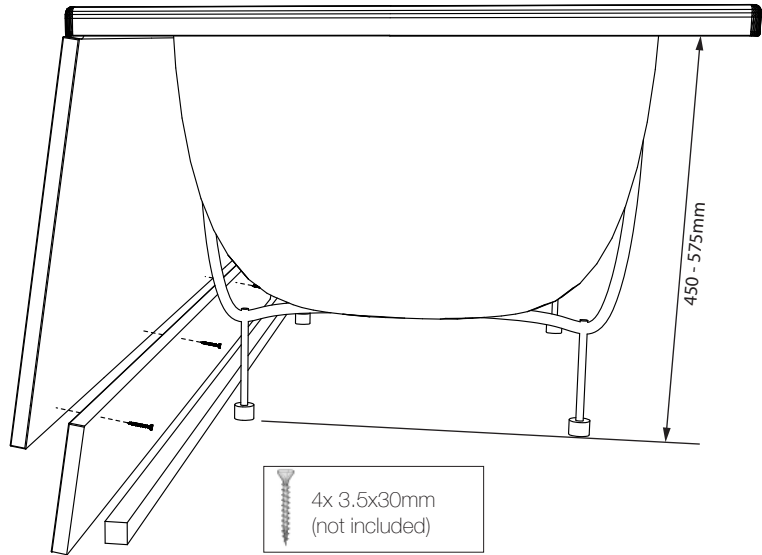
### DRAWER REMOVAL & REPLACEMENT



### BATH PANELS



Place bath panel lip under bath and locate in place, push until the plinth rests on the installed floor batten. Repeat the process if installing the end panel.



### WORKTOPS

**Vinyl, Oak and Postformed** Worktop joints should be machined with a router using a worktop jig, and glued with a suitable adhesive and worktop bolts. Silicone or Worktop Brackets (3137) can be used to fix these worktops to the base units. ALL CUT AND EXPOSED EDGES ON THESE WORKTOPS MUST BE SEALED.

**Calypstone** is an acrylic based product with all the practicalities of a hard wood, meaning it can be cut using common woodworking tools. A jigsaw with a good quality blade is ideal for initial cuts and should always be approached from the front profile of the worktop, ensure any off cuts are well supported.

If the cut end is to be a exposed, glance the cut with a sharp bladed router, then sand a 3mm top and bottom radius along the length of the cut.

Finish with the gentle application of mildly abrasive rubbing compound and finally polish. All components required are available in the Calypstone Repair Kit (7470.04).

Silicone can be used to set Calypstone worktops on to the base units. We recommend using our jointing compound when joining two pieces of Calypstone.

### CARING FOR YOUR FURNITURE

By following some simple care and cleaning guidelines, Woodstock furniture can be expected to give many years trouble free service.

All water spills, standing water and sprays **must** be wiped clean and mopped dry immediately. If left on a surface, water will cause damage.

On completion of installation, all sawdust must be removed from the units, and drawer runners inspected carefully with any dirt or grit being removed to ensure a smooth running action prior to full use.

Calypstone worktops can be kept in prime condition with the use of one of our Calypstone Care Kits which can be purchased from your Calypso Bathroom Furniture dealer.

Never use chemical or abrasive cleaners, bleach or furniture polishes on any bathroom furniture as the finish can be affected. Clean only with a soft damp cloth and a mild soap solution as necessary.

Solid Oak is a very hard-wearing material and its looks are enhanced with wear over the years. Occasional application of a wax-based furniture polish should be all that is needed to maintain its finish.

DO NOT USE household cleaners or abrasive powders on oak, and remove any spills or stains immediately with a soft damp cloth and mild detergent (washing-up liquid). Excessive moisture or water spills will darken the oak surface.