



FFI3 | Fitting Instructions



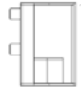

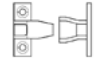
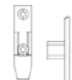
Calypso Fitted Bathroom Furniture

THESE INSTRUCTIONS WILL HELP YOU TO GET THE BEST OUT OF YOUR CALYPSO BATHROOM FURNITURE.

Please read the important notes below and check all products thoroughly before beginning installation.

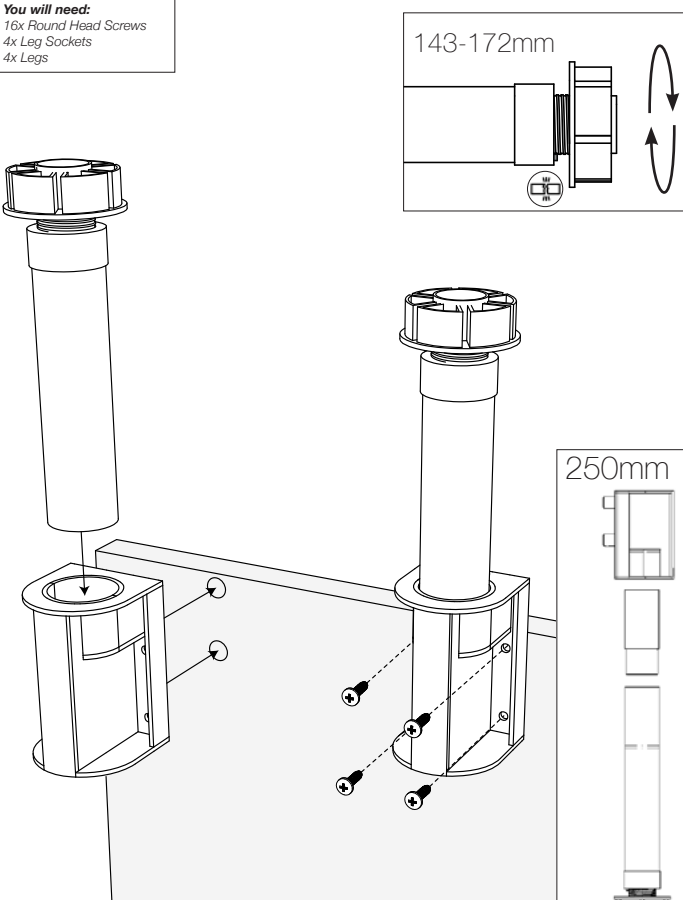
1. Woodstock Trading Company assumes that these products will be fitted by experienced, competent and qualified installers to validate the Woodstock 5 year guarantee. A non-professional installation may invalidate this guarantee. The consumer's statutory rights are not affected.
2. Do not fit any damaged or defective product - contact your bathroom furniture supplier immediately.
3. Calypso bathroom furniture is designed for domestic environments only. These environments must be adequately ventilated and it is strongly recommended that a suitable extractor fan is installed to prevent condensation build up and to prevent damage to the furniture.
4. MDF or MFC based bathroom furniture must never be installed next to unscreened showers or in wet rooms or in areas where it will come in to regular direct contact with water.
5. Any cut panel edges must be sealed with a good quality PVA or silicone based sealant, especially the rear edge of any trimmed worktops or abutments to basins. Failure to do this will invalidate the guarantee.
6. All points where worktops or furniture abut walls, floors or basins should be sealed with a bead of silicone to prevent capillary action causing water ingress into the units.



					
Countersunk Screw x16	150mm Legs x4	WC Leg Sockets x4	Plinth Clips	Upper Panel Clip Set Push x2	Lower Panel Clip Set Drop x2
7479.08	7022 (pk4)	7033 (pk4)	7009.02 (pk2)	7005 (1pair)	7006 (1pair)

WC LEGS

You will need:
16x Round Head Screws
4x Leg Sockets
4x Legs

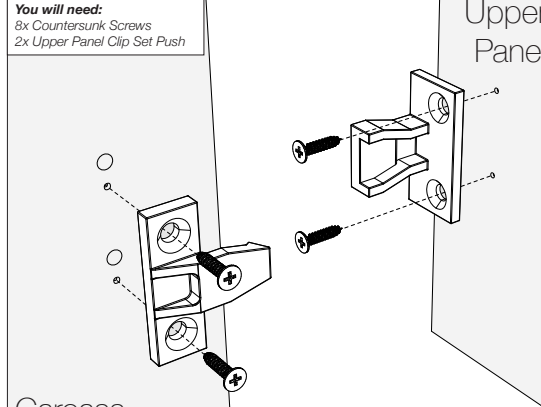


143-172mm

250mm

UPPER PANEL CLIPS

You will need:
8x Countersunk Screws
2x Upper Panel Clip Set Push

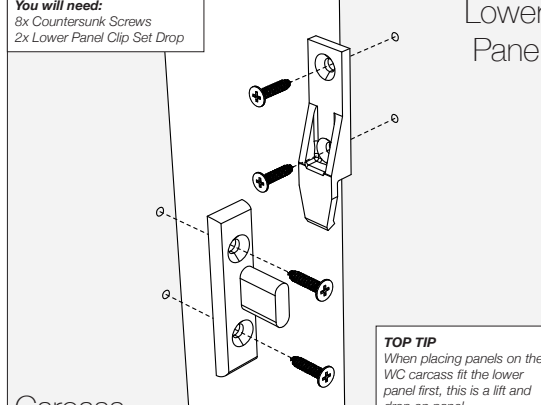


Upper Panel

Carcass

LOWER PANEL CLIPS

You will need:
8x Countersunk Screws
2x Lower Panel Clip Set Drop



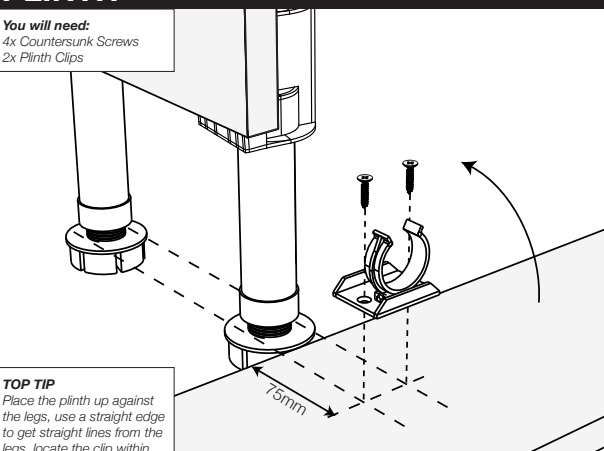
Lower Panel

Carcass

TOP TIP
When placing panels on the WC carcass fit the lower panel first, this is a lift and drop on panel.

PLINTH

You will need:
4x Countersunk Screws
2x Plinth Clips

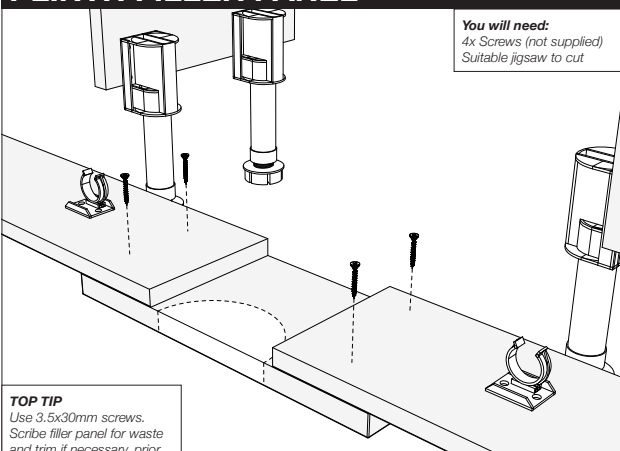


75mm


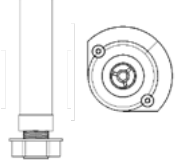


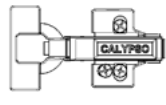
TOP TIP
Place the plinth up against the legs, use a straight edge to get straight lines from the legs, locate the clip within these lines.

PLINTH FILLER PANEL

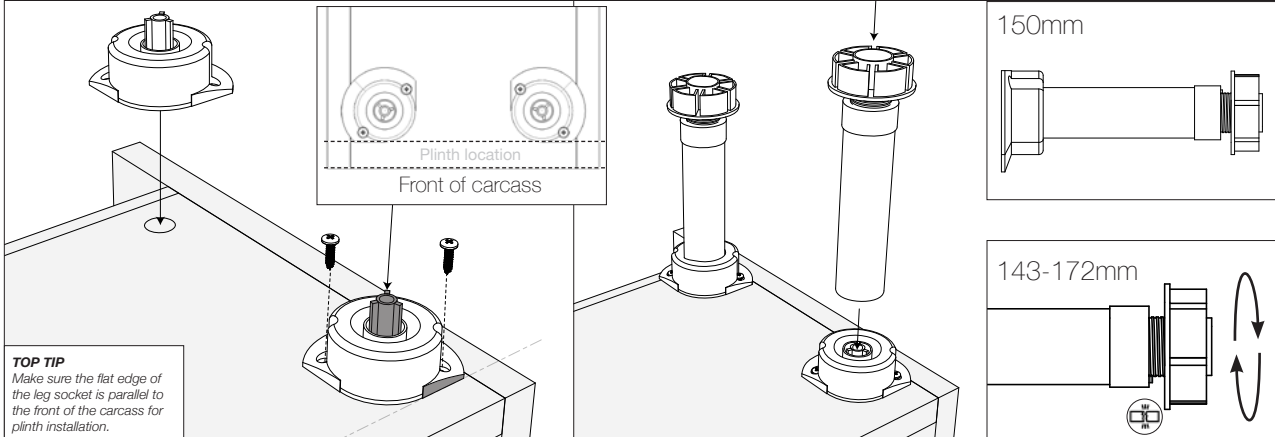
You will need:
4x Screws (not supplied)
Suitable jigsaw to cut



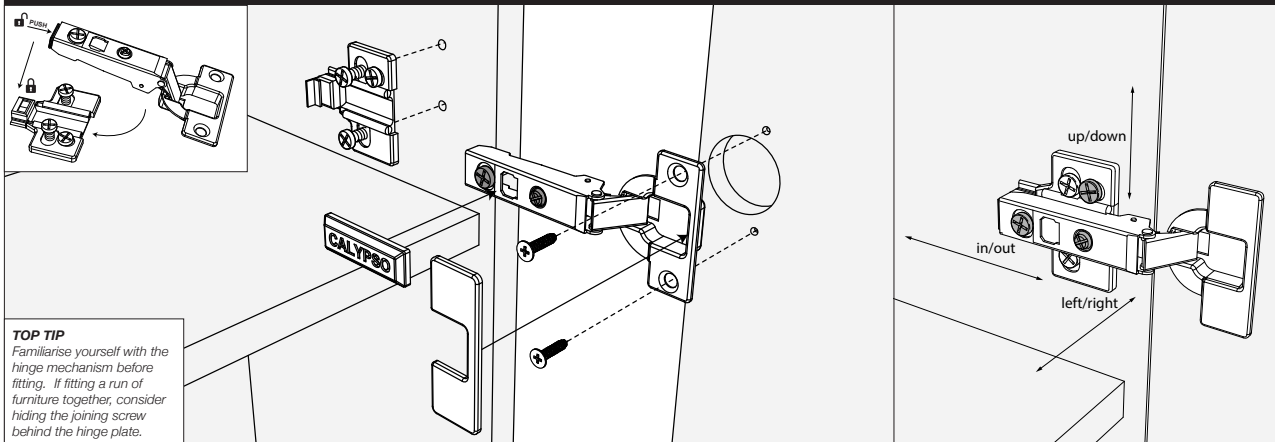
TOP TIP
Use 3.5x30mm screws. Scribe filler panel for waste and trim if necessary, prior to fixing in place.

				
Countersunk Screw x16	150mm Legs & Sockets x4	Plinth Clips	Upper Panel Clip Set Push x2	Soft Close Hinge Set (1 pair)
7479.08	7022P (pk4)	7009.02 (pk2)	7005 (1 pair)	7479.04 (1 pair)

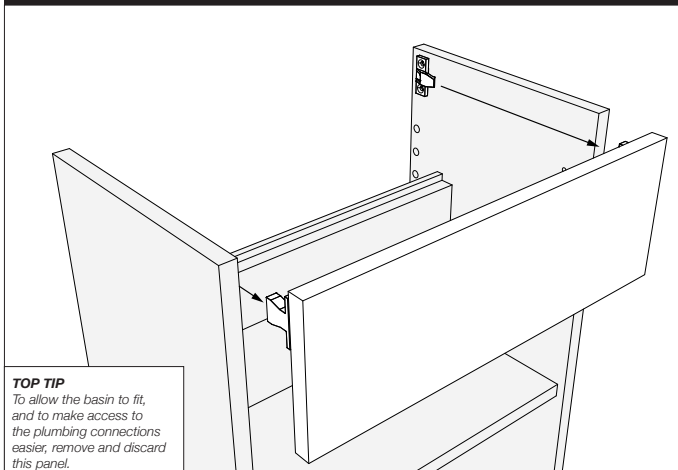
LEGS



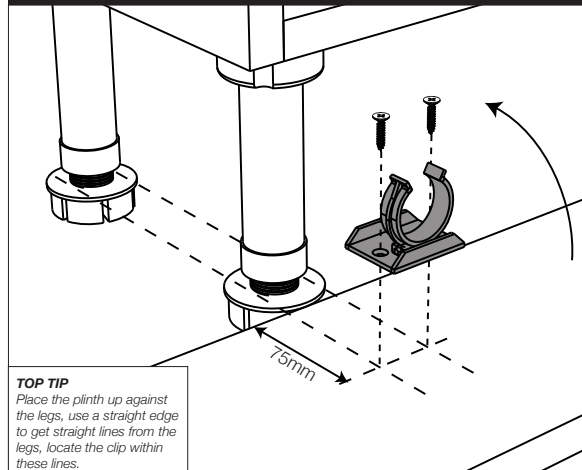
HINGES




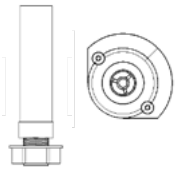

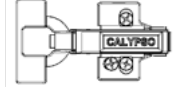
UPPER REAR PANEL REMOVAL



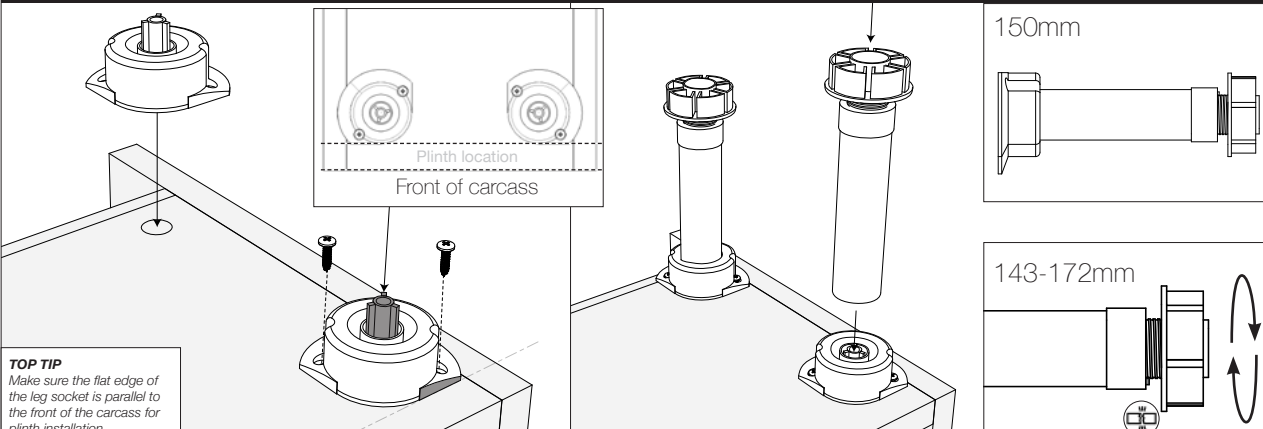
PLINTH



FOR WALL HANGING INSTALLATION PLEASE SEE ADDITIONAL INSTRUCTIONS ON PAGE 6.

			
Countersunk Screw x16	150mm Legs & Sockets x4	Plinth Clips	Soft Close Hinge Set (1 pair)
7479.08	7022P (pk4)	7009.02 (pk2)	7479.04 (1pair)

LEGS



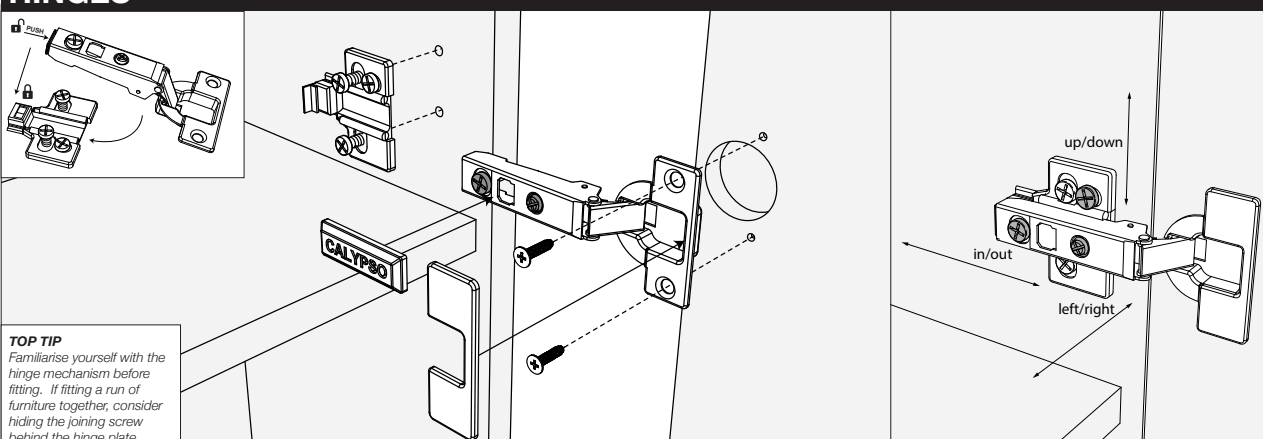
TOP TIP
Make sure the flat edge of the leg socket is parallel to the front of the carcass for plinth installation.

Plinth location
Front of carcass

150mm

143-172mm

HINGES



TOP TIP
Familiarise yourself with the hinge mechanism before fitting. If fitting a run of furniture together, consider hiding the joining screw behind the hinge plate.

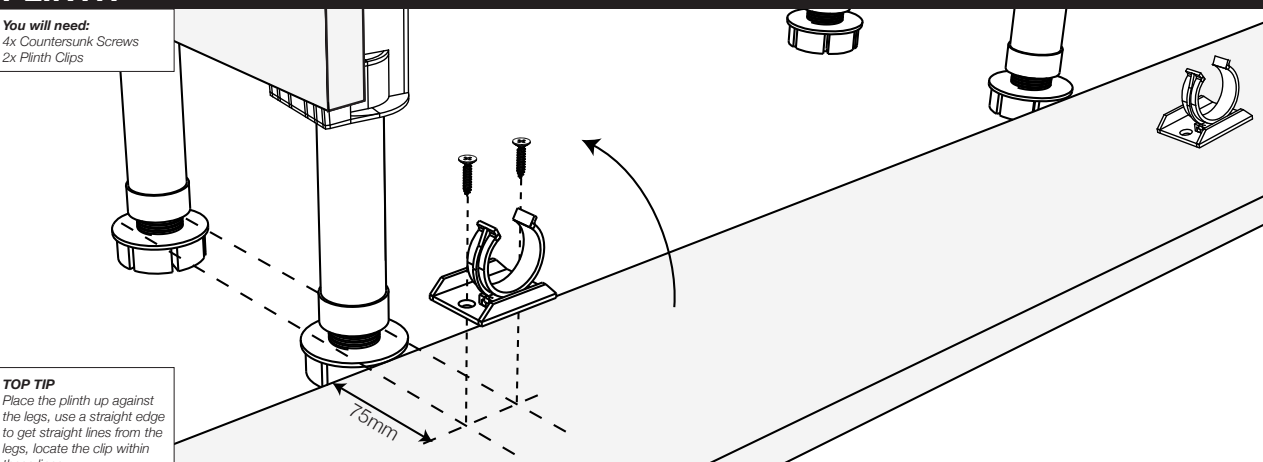
up/down

in/out

left/right

PLINTH


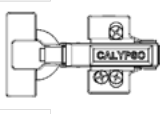
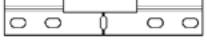


You will need:
4x Countersunk Screws
2x Plinth Clips



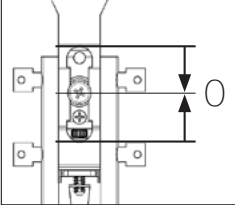
TOP TIP
Place the plinth up against the legs, use a straight edge to get straight lines from the legs, locate the clip within these lines.

75mm

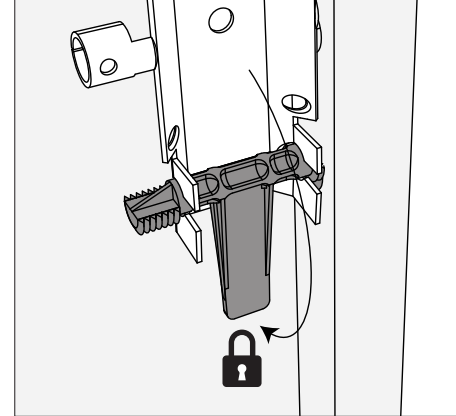
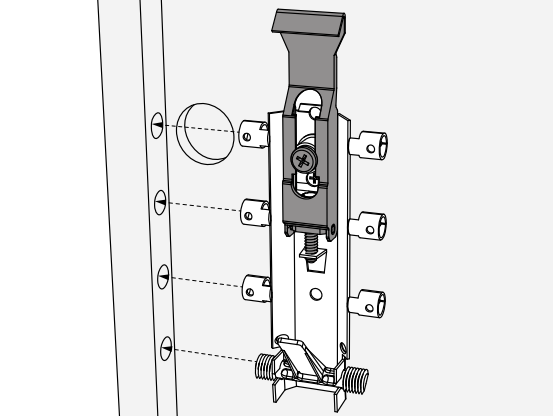
FOR WALL HANGING INSTALLATION PLEASE SEE ADDITIONAL INSTRUCTIONS ON PAGE 6.

				
Countersunk Screw x8	Soft Close Hinge Set (1 pair)	Wall Hanging Plate	Wall Hanging Bracket x2	Wall Unit Blanking Plate x2
7479.08	7479.04 (1pair)	3042B	3042A	7409.02

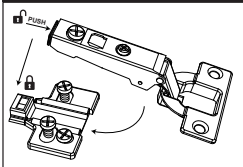
HANGING BRACKETS



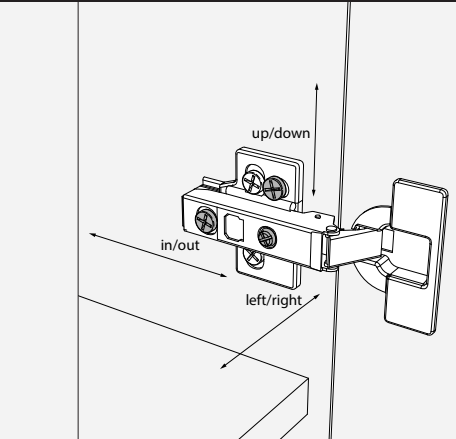
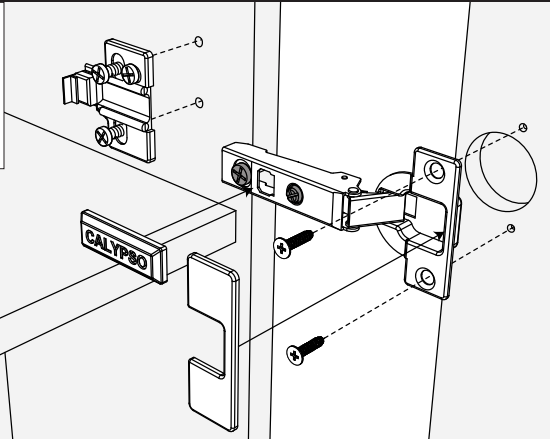
TOP TIP
Centralise the wall hanging adjustment screw prior to hanging the wall unit. This way you have maximum vertical adjustment.



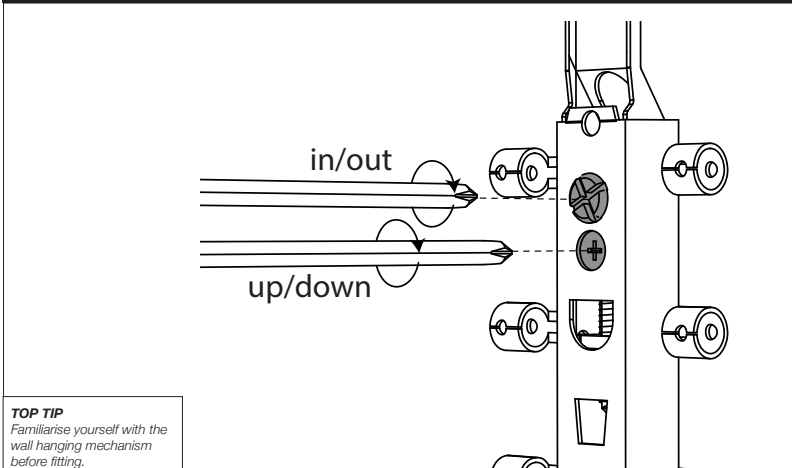
HINGES



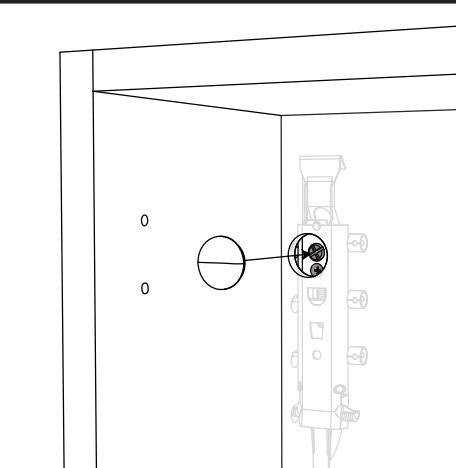
TOP TIP
Familiarise yourself with the hinge mechanism before fitting. If fitting a run of furniture together, consider hiding the joining screw behind the hinge plate.



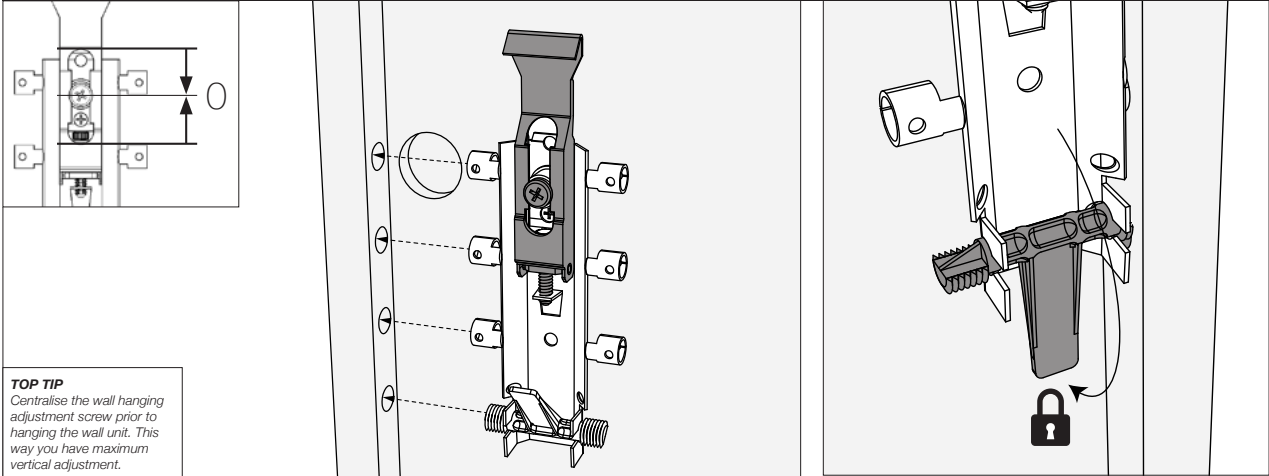
LEVELLING



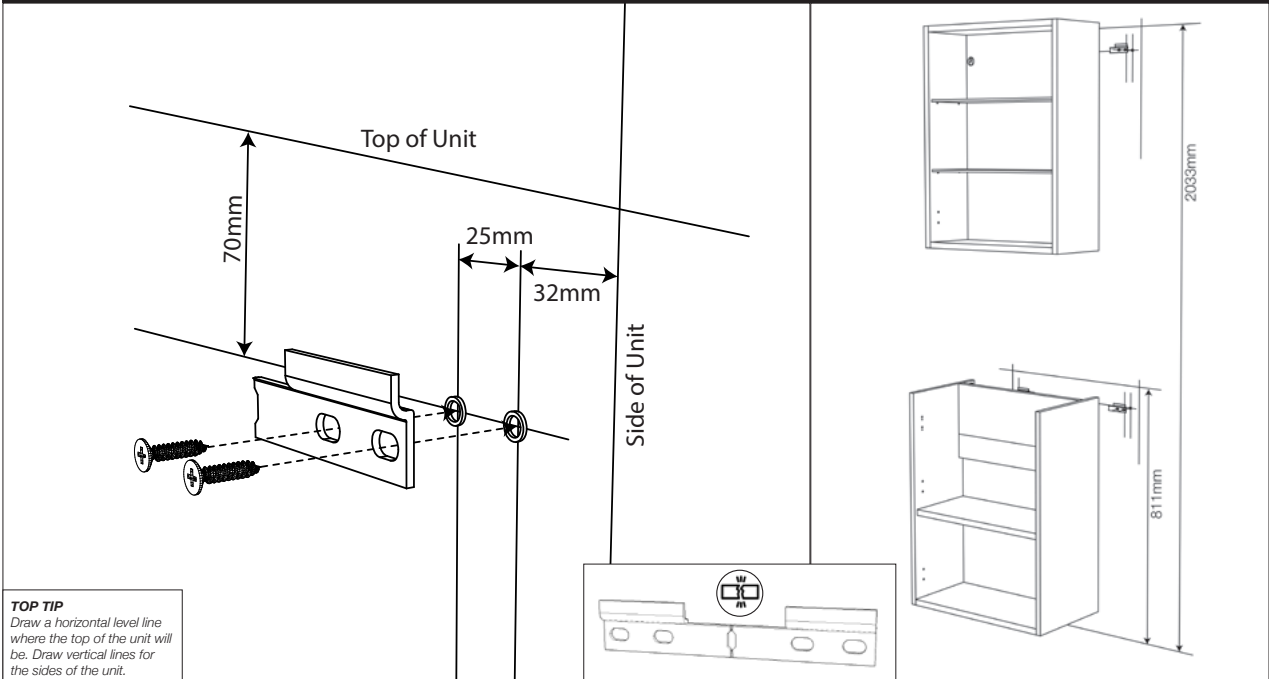
TOP TIP
Familiarise yourself with the wall hanging mechanism before fitting.



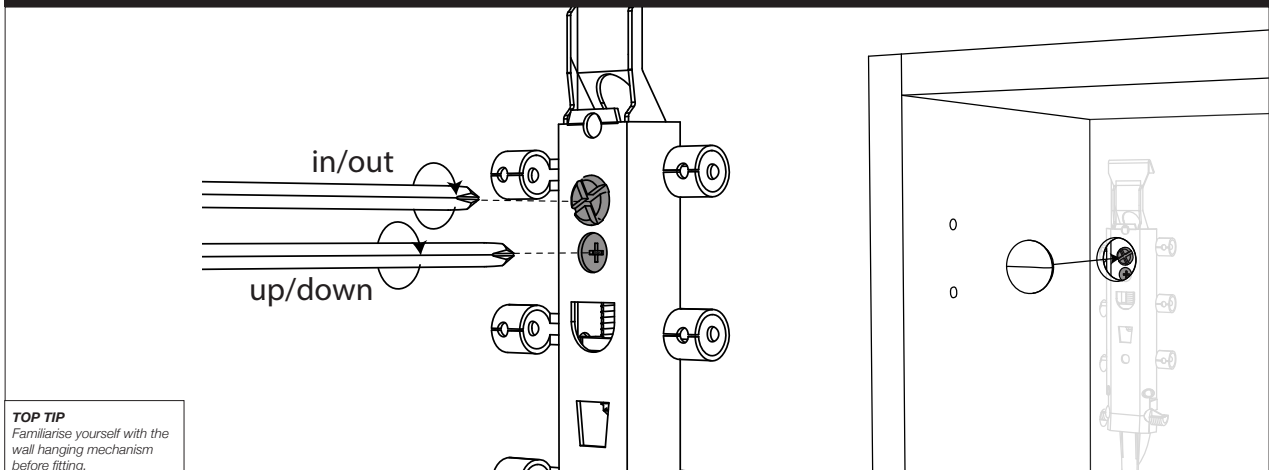
HANGING BRACKETS



HANGING PLATES

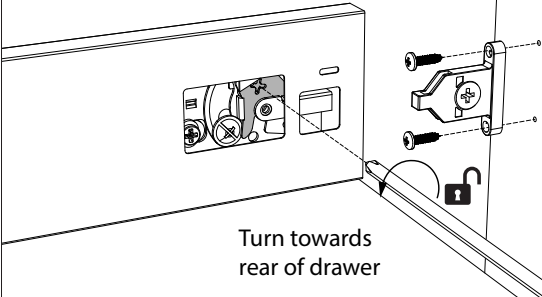


LEVELLING

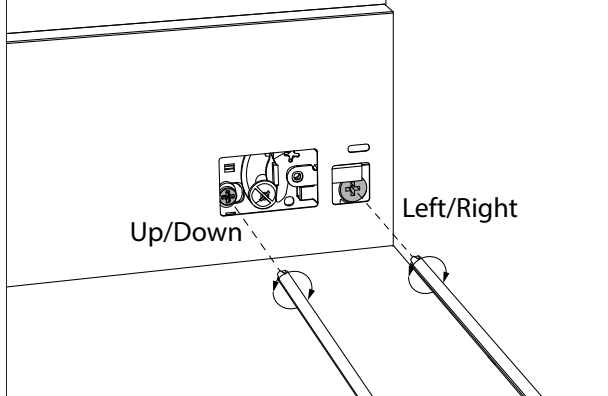


TOP HAT & FASCIA ATTACHMENT

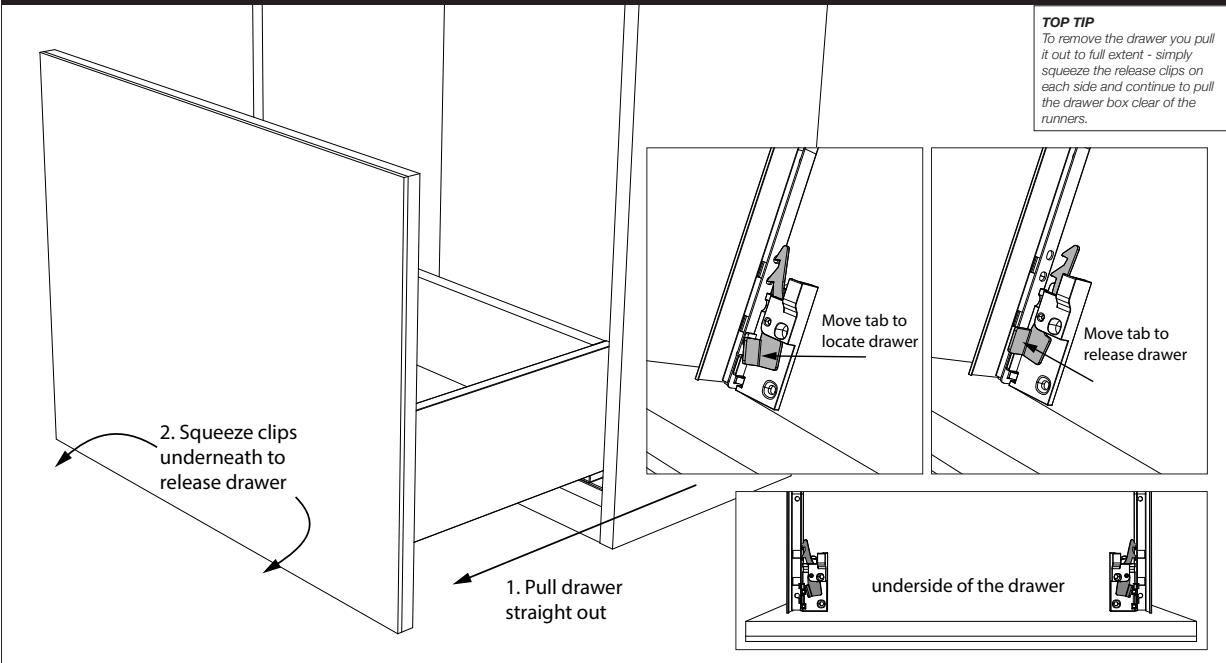
TOP TIP
You will find your top hat within the fittings box.



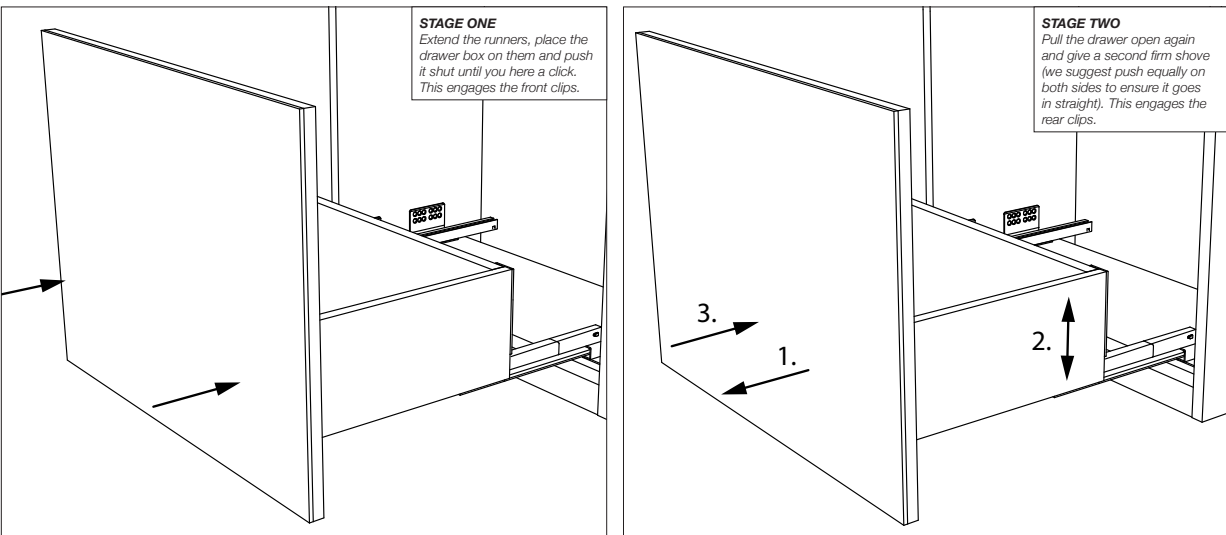
DRAWER ADJUSTMENT



DRAWER REMOVAL

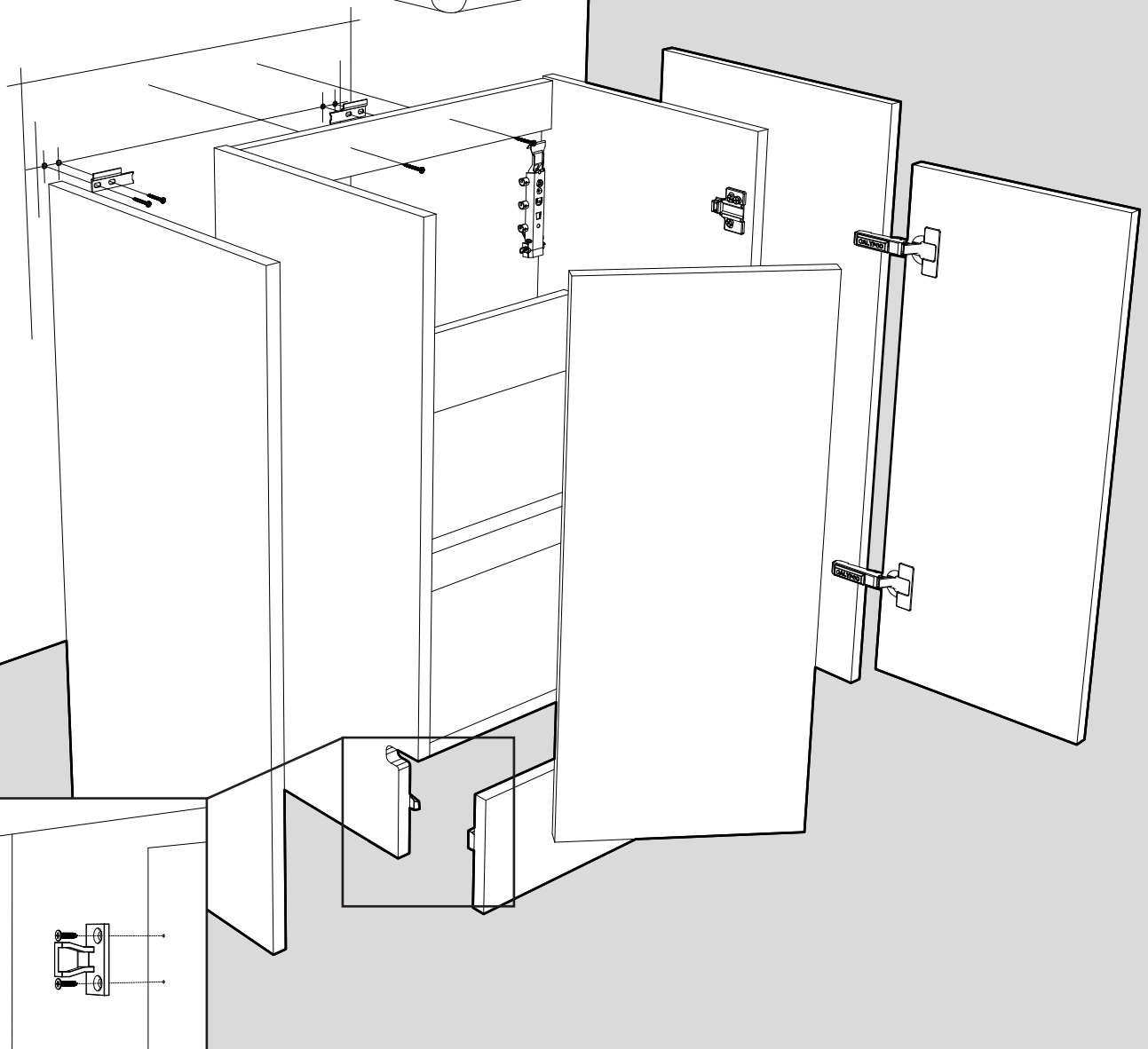
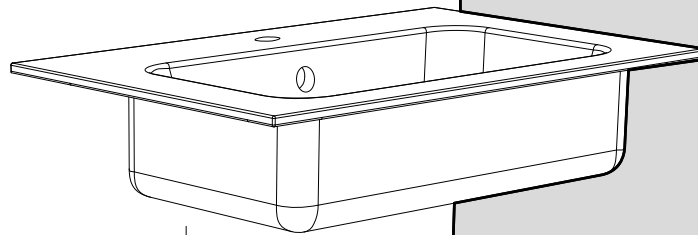


DRAWER REPLACEMENT



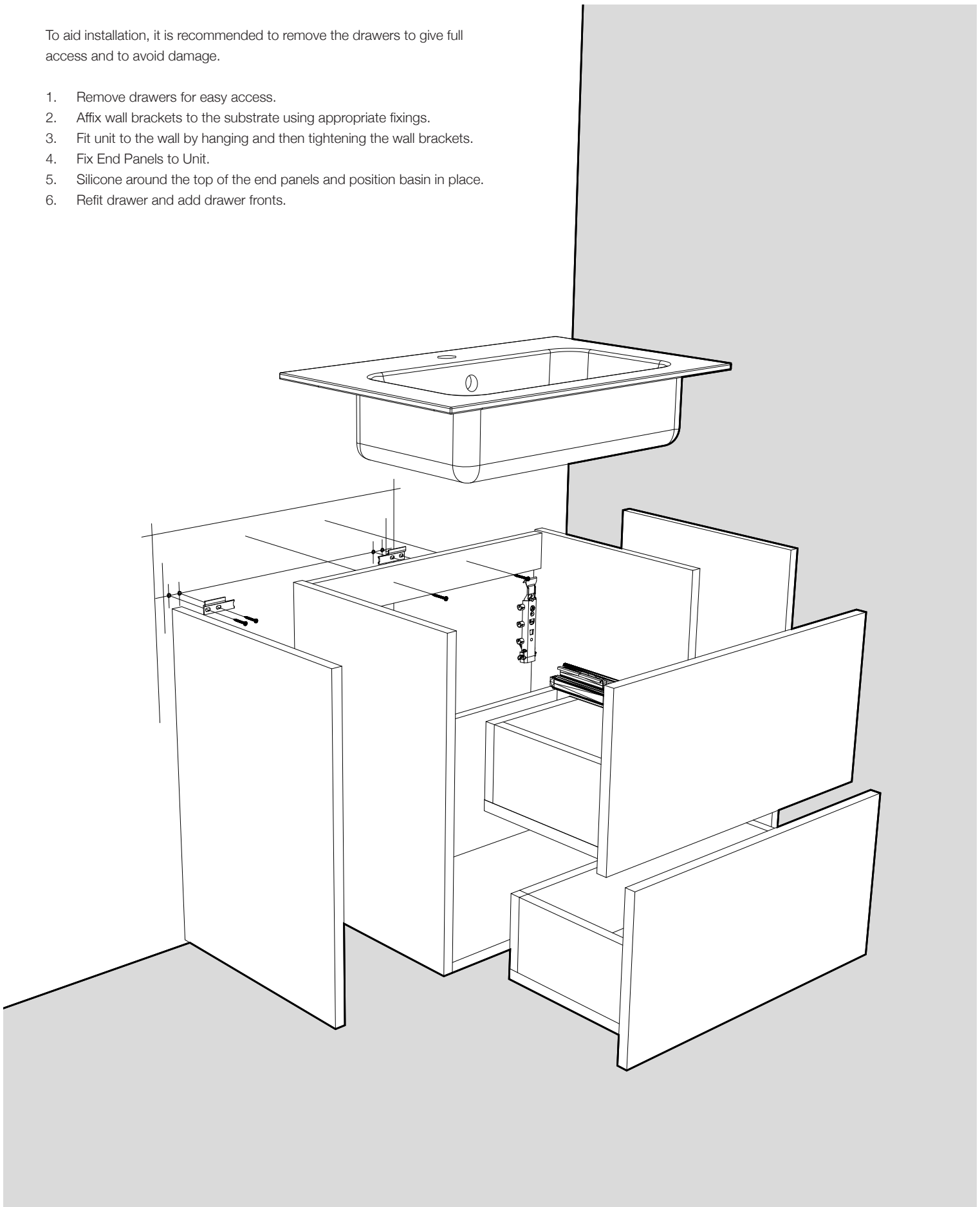
To aid installation, it is recommended to remove the doors to give full access and to avoid damage.

1. Remove doors for easy access.
2. Affix wall brackets to the substrate using appropriate fixings.
3. Fit unit to the wall then tightening the wall brackets.
4. Fix End Panels to Unit.
5. Fit the plinth by pushing onto the installed clips.
6. Silicone around the top of the end panels and position basin in place.
7. Fit Doors to the Unit.



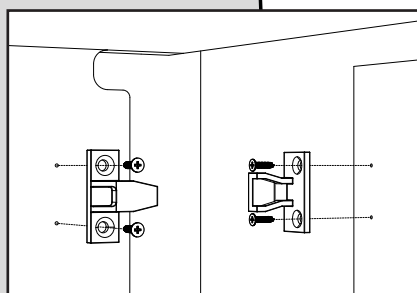
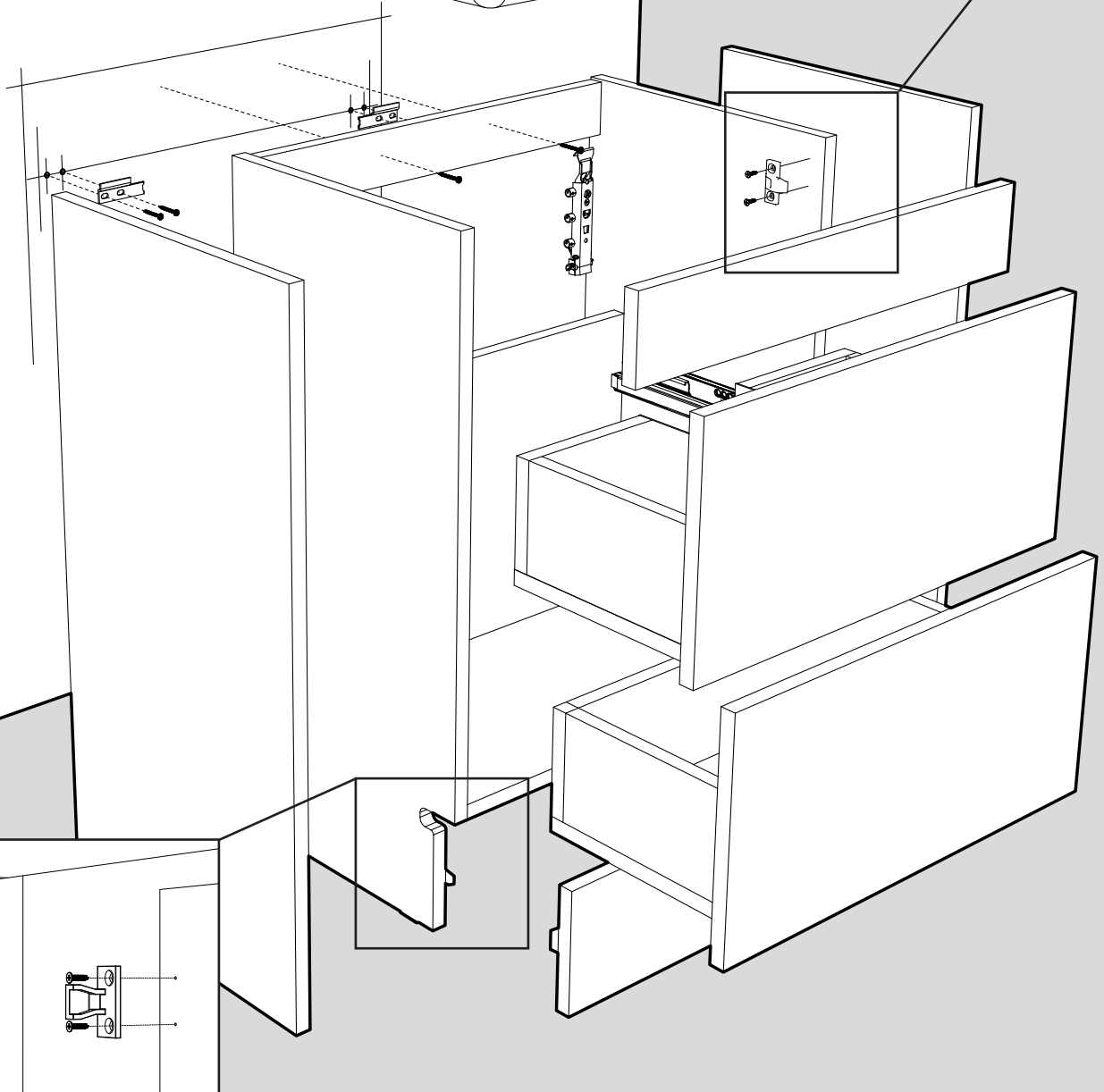
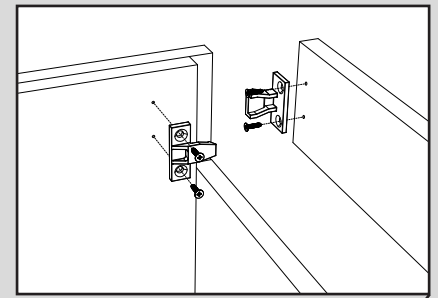
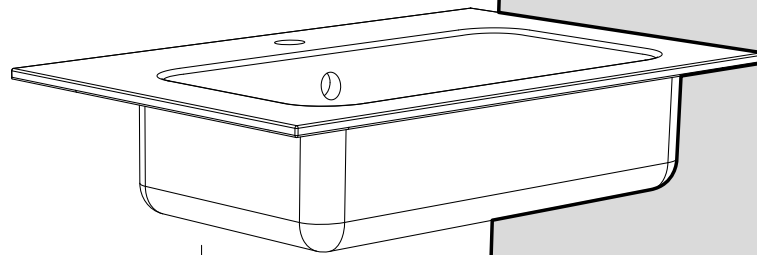
To aid installation, it is recommended to remove the drawers to give full access and to avoid damage.

1. Remove drawers for easy access.
2. Affix wall brackets to the substrate using appropriate fixings.
3. Fit unit to the wall by hanging and then tightening the wall brackets.
4. Fix End Panels to Unit.
5. Silicone around the top of the end panels and position basin in place.
6. Refit drawer and add drawer fronts.

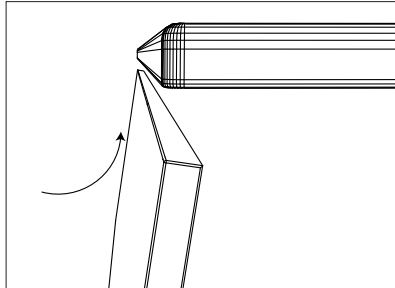


To aid installation, it is recommended to remove the drawers to give full access and to avoid damage.

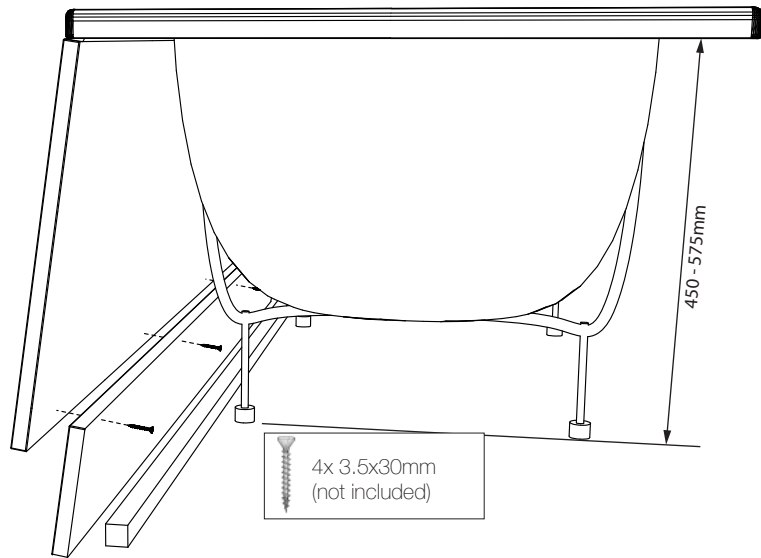
1. Remove drawers for easy access.
2. Affix wall brackets to the substrate using appropriate fixings.
3. Fit unit to the wall by hanging and then tightening the wall brackets.
4. Fix End Panels to Unit.
5. Fit upper panel and plinth by pushing onto the installed clips.
6. Silicone around the top of the end panels and position basin in place.
7. Refit drawers and fit drawer fascias.



BATH PANELS



Place bath panel lip under bath and locate in place, push until the plinth rests on the installed floor batten. Repeat the process if installing the end panel.



WORKTOPS

Vinyl, Oak and Postformed Worktop joints should be machined with a router using a worktop jig, and glued with a suitable adhesive and worktop bolts. Silicone or Worktop Brackets (3137) can be used to fix these worktops to the base units. ALL CUT AND EXPOSED EDGES ON THESE WORKTOPS MUST BE SEALED.

Calypstone is an acrylic based product with all the practicalities of a hard wood, meaning it can be cut using common woodworking tools. A jigsaw with a good quality blade is ideal for initial cuts and should always be approached from the front profile of the worktop, ensure any off cuts are well supported.

Silicone can be used to set Calypstone worktops on to the base units. We recommend using our jointing compound when joining two pieces of Calypstone.

CALYPSTONE INSTALLATION

All material should be given time to reach room temperature prior to installation (24 hours). This is especially important for adhesives & silicones as environmental temperature affects the curing time for the adhesive, and room temperature allows for consistent performance.

CALYPSTONE bathroom surfaces have all the practicality of hardwood in that common woodworking tools can be used to cut & shape the solid surface. While CALYPSTONE is harder than wood and laminate it does not require specialist tools.

BOWL CUT OUTS & TAP HOLES – Please read ALL the instructions below before you start.

Use a good quality jigsaw blade or a router cutter with a new, sharp tungsten or hard point tipped blades. Use masking tape to prevent scratching or marking the surface with the cutter base plates. Do not force the cutting process, apply a slow, even and constant pressure letting the cutter slowly lead the cut.

NOTE: ALWAYS SUPPORT THE OFF-CUT TO STOP IT BREAKING AWAY AS YOU NEAR THE COMPLETION OF THE CUT.

Semi-Recessed Bowls: If using a router, we recommend making 2 cuts, go halfway through on the first cut then break through on the second. ALWAYS cutting INTO the front edge profile.

Full Inset Bowls: Use the bowl template to create a jig, drill the starting point hole and router out using 2 passes. The 1st router cut to at least half way through, then complete the cut with the 2nd pass.

Use a 200-grit sand paper to obtain a smooth finish around the cut-out edge.

A thin bead of silicon may be applied around the bowl on completion to prevent water seeping through and into the base unit. Water will not affect the CALYPSTONE surface as it is a solid acrylic-based material and is completely impervious to water ingress.

Tap holes: Drill out using a flat drill bit or hole cutter.

CALYPSTONE INSTALLATION (CONT)

STRAIGHT CUTS – Please read ALL the instructions below before you start.

DO NOT CUT OUT THROUGH THE FRONT PROFILE AS CHIPPING OR BREAKOUT MAY OCCUR. ALWAYS CUT INTO THE FRONT PROFILE EDGE.

For a Joint: Clamp a straight edge guide to the surface to help keep the cut straight. Do not force the cutting process but apply a slow, constant and even pressure to the router letting the cutter lead - INTO THE FRONT EDGE. With a sharp tool apply a series of scratches to key the edge ready for joining being careful not to damage the clean cut straight top edge. Clean the edge with Isopropyl Alcohol or similar and allow to dry.

Finished or Show End: Cut as above then router or sand a 3mm top and bottom radius to the show-end to match the front edge top and bottom profile. Start the sanding process with a 240 grit, 320 grit, then a 500-grit soft finishing pad. Restore to the original finish by applying CALYPSTONE finishing compound and buffing clean with a clean dry cloth. Finally apply a wax free polish.

NOTE: ALWAYS SUPPORT THE OFF-CUT TO STOP IT BREAKING AWAY AS YOU NEAR THE COMPLETION OF THE CUT.

CARE & MAINTENANCE

CALYPSTONE worksurfaces are easy to clean and maintain. By following our simple care instructions, the beauty of your worktops can be preserved, and your bathroom will retain that 'just installed' look throughout its life.

Routine Cleaning: Wiping your CALYPSTONE surface with a warm damp cloth and then buffing with a soft dry cloth will keep your surface in pristine condition.

Care and Maintenance: Avoid exposing CALYPSTONE surface to strong chemicals such as nail varnish remover or paint removers etc. These should be removed immediately. Any residue and spills from shampoo, toothpaste, mouthwash or similar, should be cleaned immediately with soapy water to ensure no staining occurs. Always avoid sliding hard/sharp objects such as cups, bottles or cans across the surface as these will result in scratches. If staining or scratches do occur, CALYPSTONE maintenance or repair kits can be used to remedy them.

IMPORTANT: CALYPSTONE IS A MAN MADE ACRYLIC AND POLYESTER SURFACE AND WILL SHOW SCRATCHES, PARTICULARLY ON DARK COLOUR SURFACES, BUT ALL SCRATCHED SURFACES CAN BE SANDED BACK TO THE ORIGINAL FINISH

Scratches and Refinishing: Day to day scratches and marks can easily be sanded and buffed out.

Light Scratches: The CALYPSTONE Maintenance kit contains all you need to be able to polish out light scratches on your bathroom worktop. Instructions are included.

Deeper Scratches: The CALYPSTONE Repair kit contains all you need to be able to repair & polish out deeper scratches on your bathroom worktop. Instructions are included.

More Serious Damage: Because of the inherent qualities of CALYPSTONE solid surface worktops, they are capable of being repaired. This means that the surface can be returned to its original condition even after suffering severe impact, heat or chemical damage.

Please contact your CALYPSTONE supplier for professional advice on the best course of action for the more serious repairs.

7470.03 Calypstone Maintenance Kit



7470.04 Calypstone Repair Kit



CARING FOR YOUR FURNITURE

By following some simple care and cleaning guidelines, Woodstock furniture can be expected to give many years trouble free service.

All water spills, standing water and sprays **must** be wiped clean and mopped dry immediately. If left on a surface, water will cause damage.

On completion of installation, all sawdust must be removed from the units, and drawer runners inspected carefully with any dirt or grit being removed to ensure a smooth running action prior to full use.

Calypstone worktops can be kept in prime condition with the use of one of our Calypstone Care Kits which can be purchased from your Calypso Bathroom Furniture dealer.

Never use chemical or abrasive cleaners, bleach or furniture polishes on any bathroom furniture as the finish can be affected. Clean only with a soft damp cloth and a mild soap solution as necessary.

Solid Oak is a very hard-wearing material and its looks are enhanced with wear over the years. Occasional application of a wax-based furniture polish should be all that is needed to maintain its finish.

DO NOT USE household cleaners or abrasive powders on oak, and remove any spills or stains immediately with a soft damp cloth and mild detergent (washing-up liquid). Excessive moisture or water spills will darken the oak surface.

