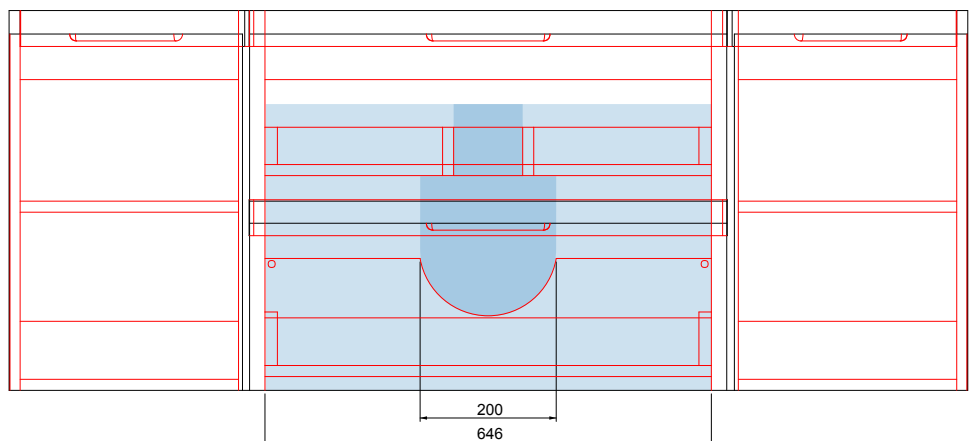
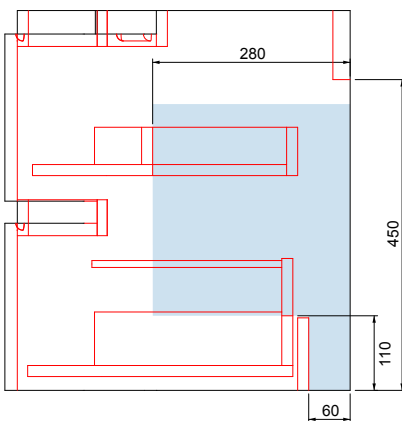
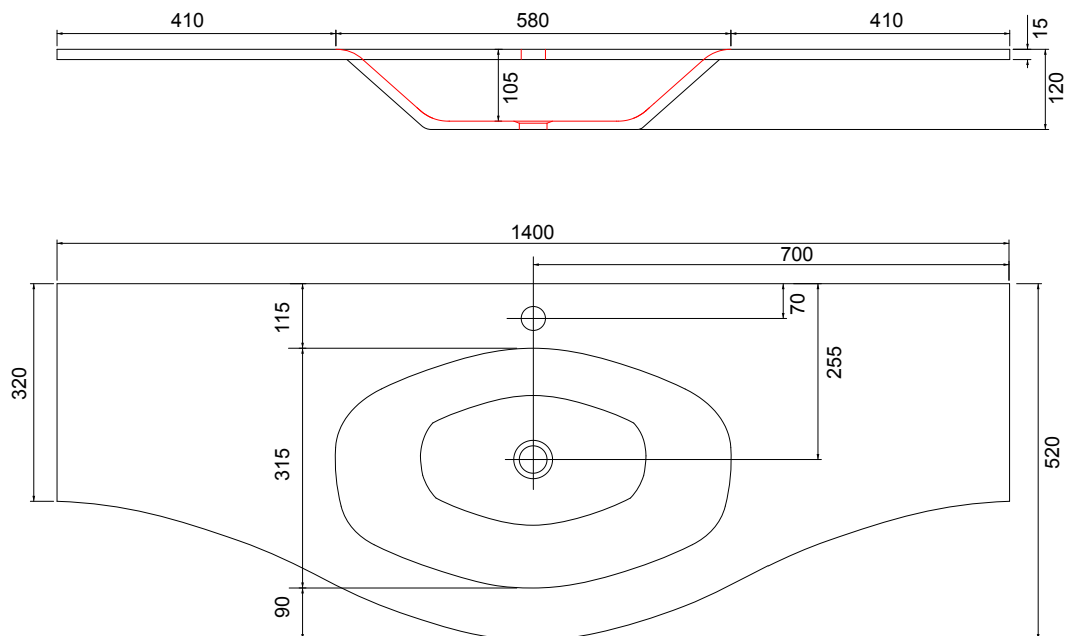


PRODUCT	LEVANTO 1400 VANITY UNIT (120KG)
UNIT SIZE	1400w x 500d x 550h
BASIN OPT	ORTA GLASS - 9218 (42KG)
BASIN SIZE	1400w x 520d x 15h

FITTING ADVICE

- The shaded areas indicate the clear voids for the running of services.
- This unit is very heavy. It is made from a central unit with LH and RH compliment units. A secure wall fixing is required.
- To aid installation, it is recommended to remove the drawers to give full access and to avoid damage.
- Recommended height from floor to top of vanity unit carcass is 810mm.
- All wall to carcass and wall to basin joints should be sealed with silicone.
- All dimensions are in mm





GLASS BASINS

Glass basins are perfectly formed and benefit from being naturally anti-bacterial. They are a durable alternative to standard basins and are comparable in strength. With no overflow on these basins, they have a minimal clean sleek look.

There are two points which could cause fracture or breakage to glass basins. Firstly, if there is a thermal shock from a sudden temperature change of more than 20°C, ambient room temperature should be maintained around 16 - 23°C. Secondly, you must avoid pouring hot water over 48°C into a glass basin. The waste assembly must be hand-tightened only.



To aid installation, it is recommended to remove the drawers to give full access and to avoid damage.

1. Fit the hanging plate to the wall using suitable fixings for the substrate.
2. Hang vanity carcass on the hanging plate and level.
3. Fix through the upper bar locations as suggested below.
4. Silicone around the top of the unit and place basin.
5. Silicone around the rear of the unit at wall abutment.
6. Re-fit drawers and doors.

