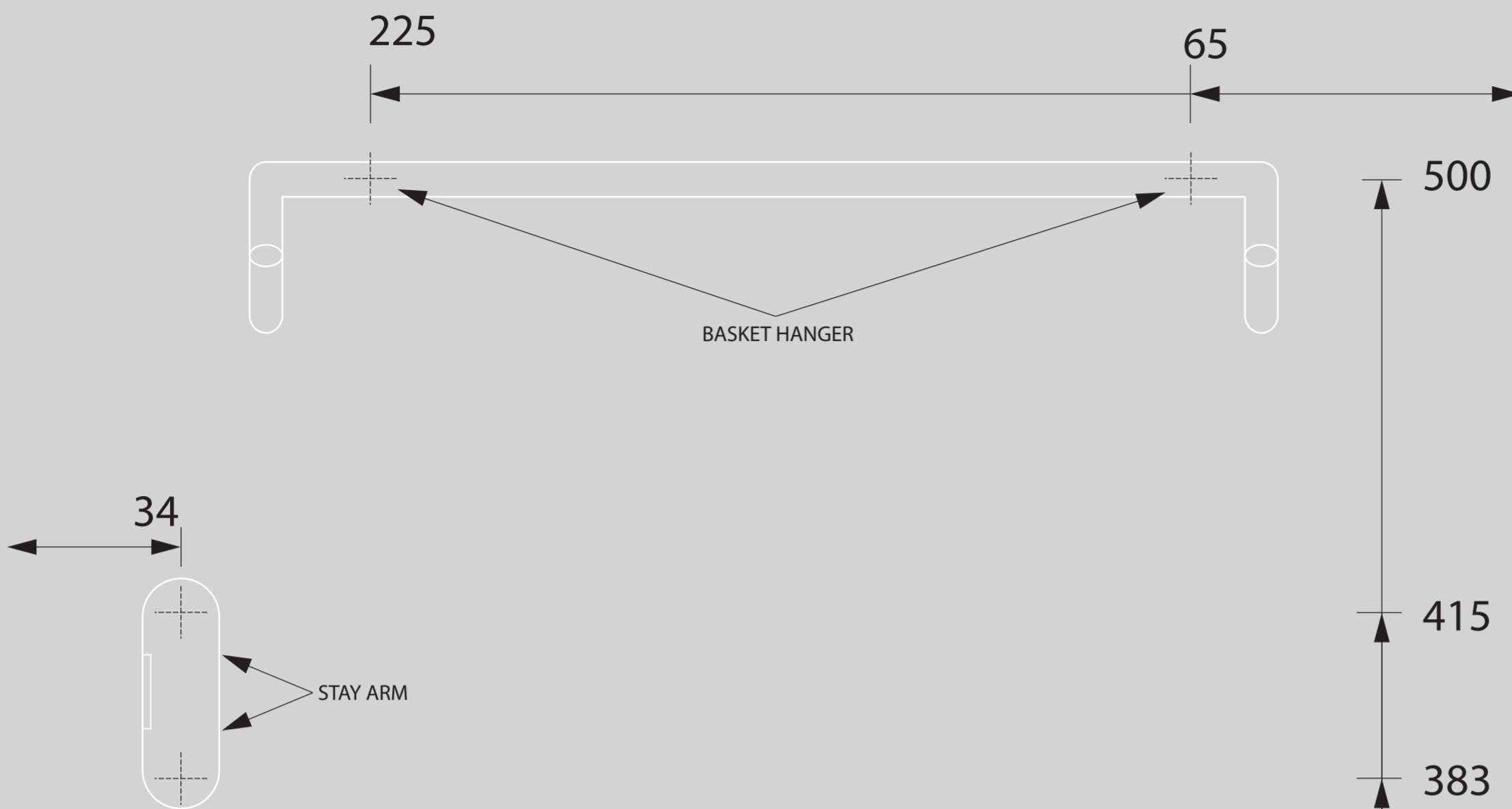
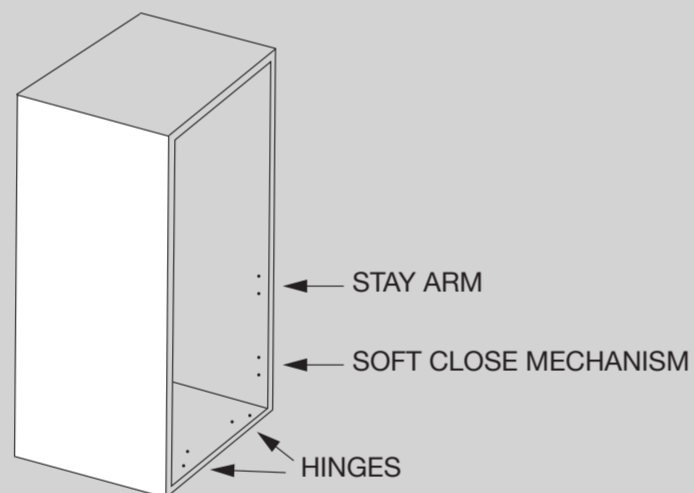


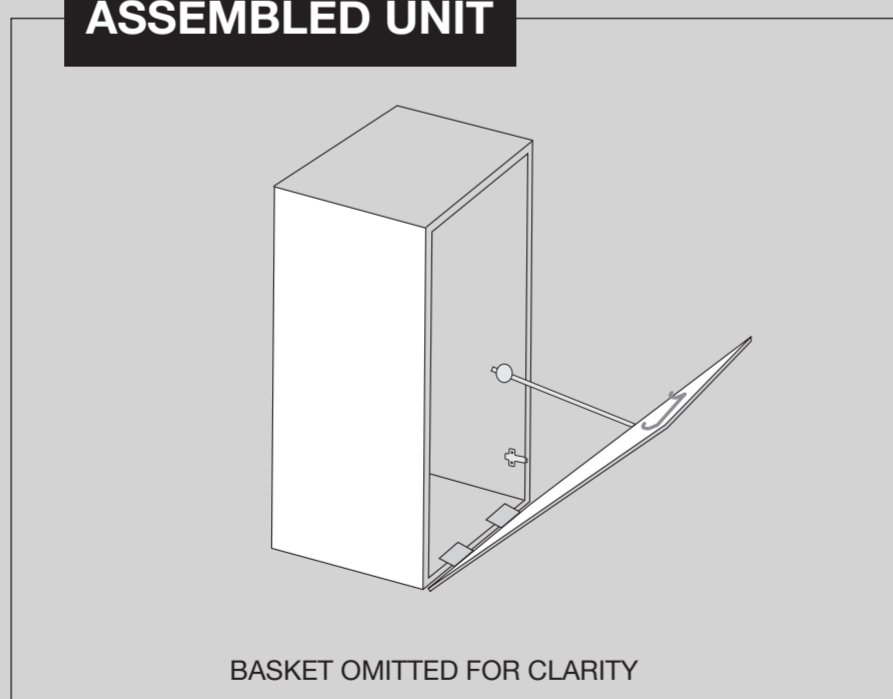
ALL DIMENSIONS IN MM



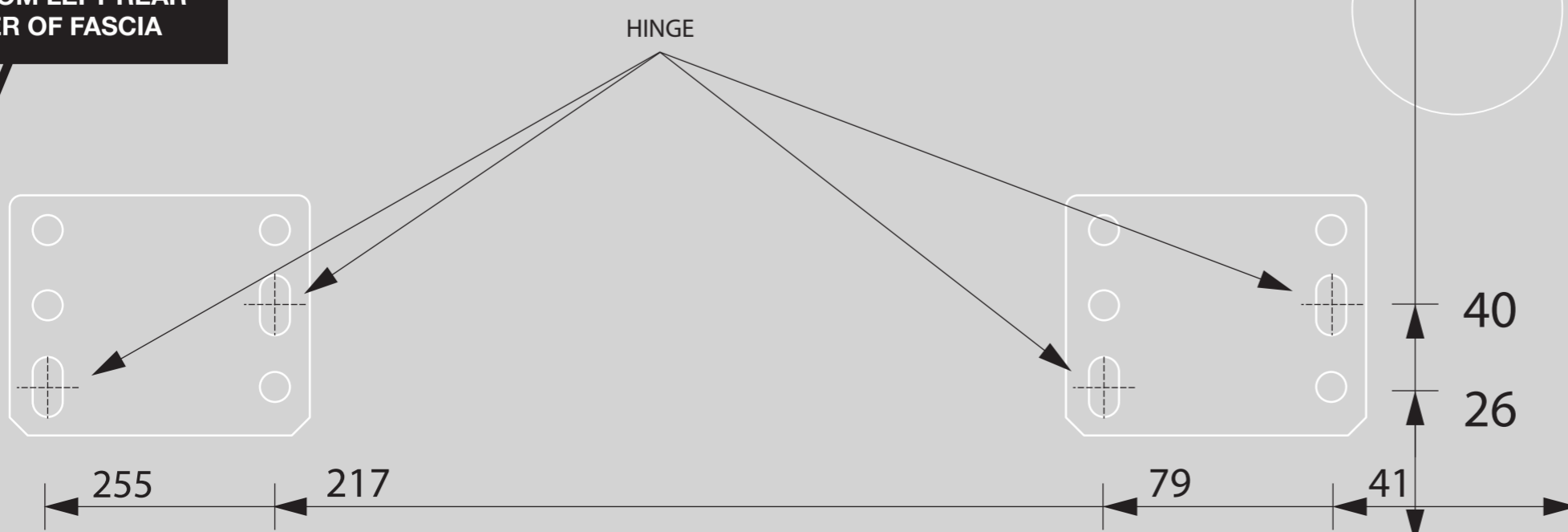
CARCASS COMPONENT LOCATIONS



ASSEMBLED UNIT



ALIGN EDGES OF TEMPLATE TO BOTTOM LEFT REAR CORNER OF FASCIA



INSTRUCTIONS

INITIAL STEPS

Locate the components required - Carcass, Fascia and Wire Basket.

1. Remove the Fittings Pack from the carcass and familiarise yourself with the fittings and screws supplied using the Fittings List to guide you.
2. Install your run of furniture in accordance with the Fitted Furniture Fitting Instructions (FFI2) supplied, or by downloading from our website at www.calypsobathrooms.co.uk/downloads/

FASCIA PREPARATION

1. Aligning the bottom and left edges of this Drilling Template with the bottom left rear corner of the fascia, drill the rear of the fascia using a 2.0mm drill bit to a depth of 10mm. Take great care on Solid Oak fascias that the template is central to avoid breaking into the central panel.
2. Fit the Basket Hanger using 2x 4x16mm roundhead screws.
3. Fit hinges (smaller rectangular end) using 4x 4x16mm roundhead screws.
4. Fit the metal mounting plate of the Stay Arm using 2x 3.5x16mm roundhead screws. Ensure the arm is the correct way round as shown on the template.
5. Insert the 2x Hinge Hole Cover Caps into the hinge recesses.

CARCASS PREPARATION & FINAL ASSEMBLY

1. Insert the Soft Close Piston into the Soft Close Housing.
2. Fit the assembled Soft Close Mechanism to the carcass using 2x 3.5x16mm countersunk screws. Fit to lower holes as shown.
3. Open out the hinges on the fascia and fit the hinges to the carcass base using 4x 4x16mm roundhead screws.
4. Fit the Stay Arm to the carcass using 2x 3.5x16mm countersunk screws.
NB: Remove the white friction screw from the carcass mounting and discard.
5. Hang the Wire Basket on the Basket Hanger.

KEY COMPONENTS



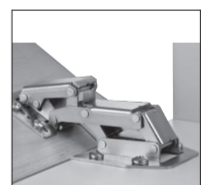
2 x Hinge Hole Cover Cap



1 x Basket Hanger



1 x Stay Arm



2 x Laundry Unit Hinges



1 x Soft Close Housing



1 x Soft Close Piston



300MM LAUNDRY UNIT
INSTALLATION GUIDE



LUF12