

Thank you for choosing Calypso Bathroom Furniture

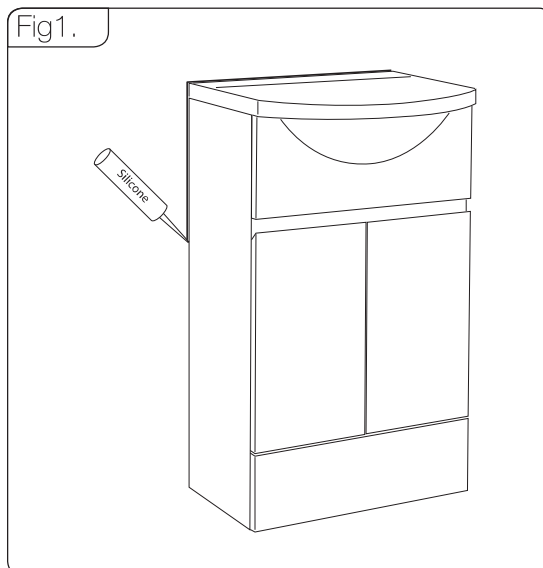
Once you have received your Calypso Bathroom Furniture

Please inspect all product carefully prior to installation and report any damaged or faulty goods to your supplier immediately as once installed, bathroom furniture cannot be accepted for return.

Vanity Furniture (Liana and Art Series1)

It is recommended that once all the units are set and levelled in their final position with all plumbing and pipework arrangements complete, they are fixed back to the wall with proprietary fittings.

It is important that all wall abutments along the rear of basins or down the rear edges of the vanity units are sealed with a silicone or similar suitable sealant to stop water ingress.

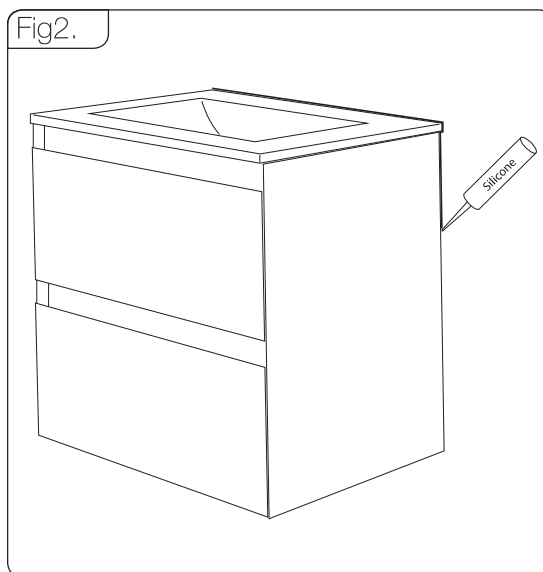


Modular Furniture (Modena, Verona and Combi Series1)

Once set and levelled in their final positions with all plumbing and pipework complete, the units should be final fixed back to the wall with proprietary fittings including any wall hung units which can be fixed through the rear cross rail.

It is important that all wall abutments along the rear of basins or down the rear edges of the vanity units are sealed with a silicone or similar suitable sealant to stop water ingress.

It is important that all wall abutments along the rear of basins or down the rear edges of the vanity units are sealed with a silicone or similar suitable sealant to stop water ingress.



Cleaning, Care and Maintenance

CALYPSO bathroom furniture is designed to be used within domestic environs. As with all timber based products, bathroom furniture will be adversely affected if subjected to excessive moisture on the surface or in the atmosphere so adequate ventilation is important. It is strongly recommended that a suitable bathroom extractor fan is install to prevent moisture or condensation build up.

Any cut or trimmed and exposed edges **must** be sealed with silicone or other suitable sealant. Failure to do this will invalidate any guarantee.

On completion of installation, any dust or other debris should be removed from the units and any drawer runners blown clean to ensure they run smoothly before full use.

All water or other liquid spills must be wiped clean and mopped dry immediately to prevent any surface 'blooming' or other stains from forming.

The units should be cleaned with a soft damp cloth using a mild detergent (washing-up liquid) if required. Never use chemical or abrasive cleaners, bleach or furniture polish on bathroom furniture as it can affect the finishes.