

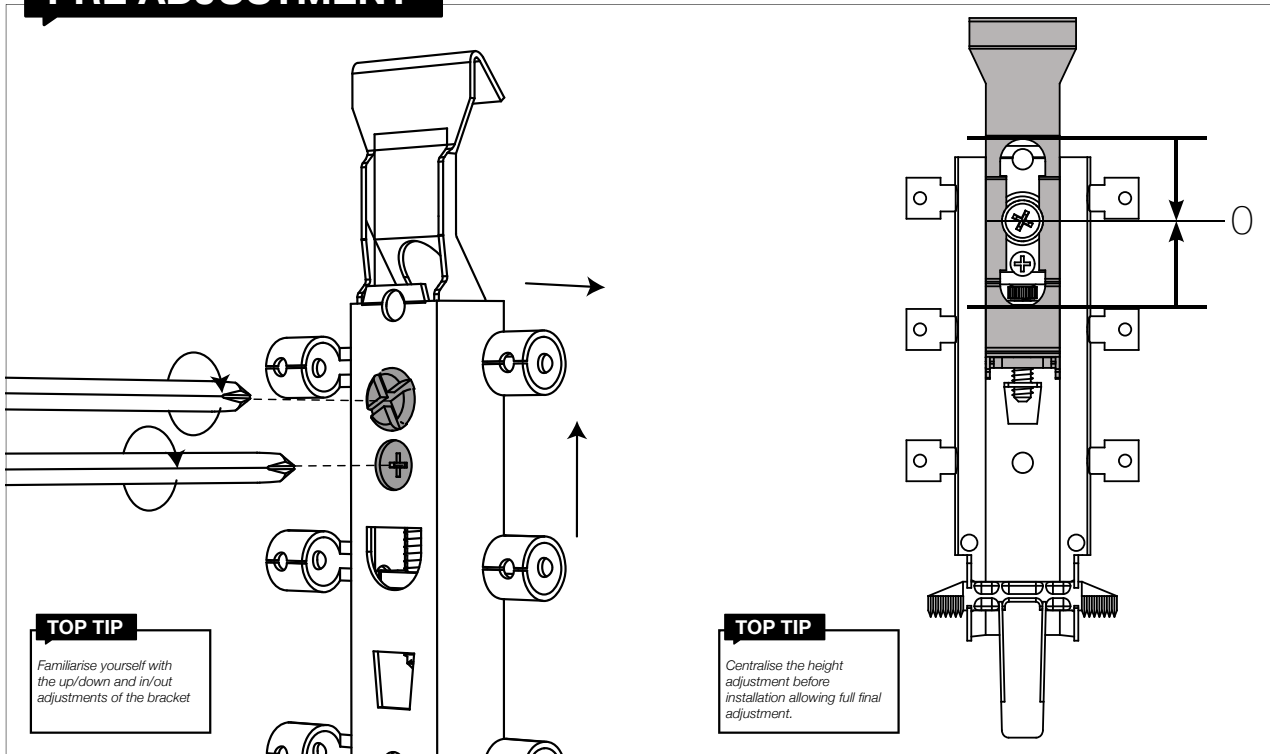


CALYPSO

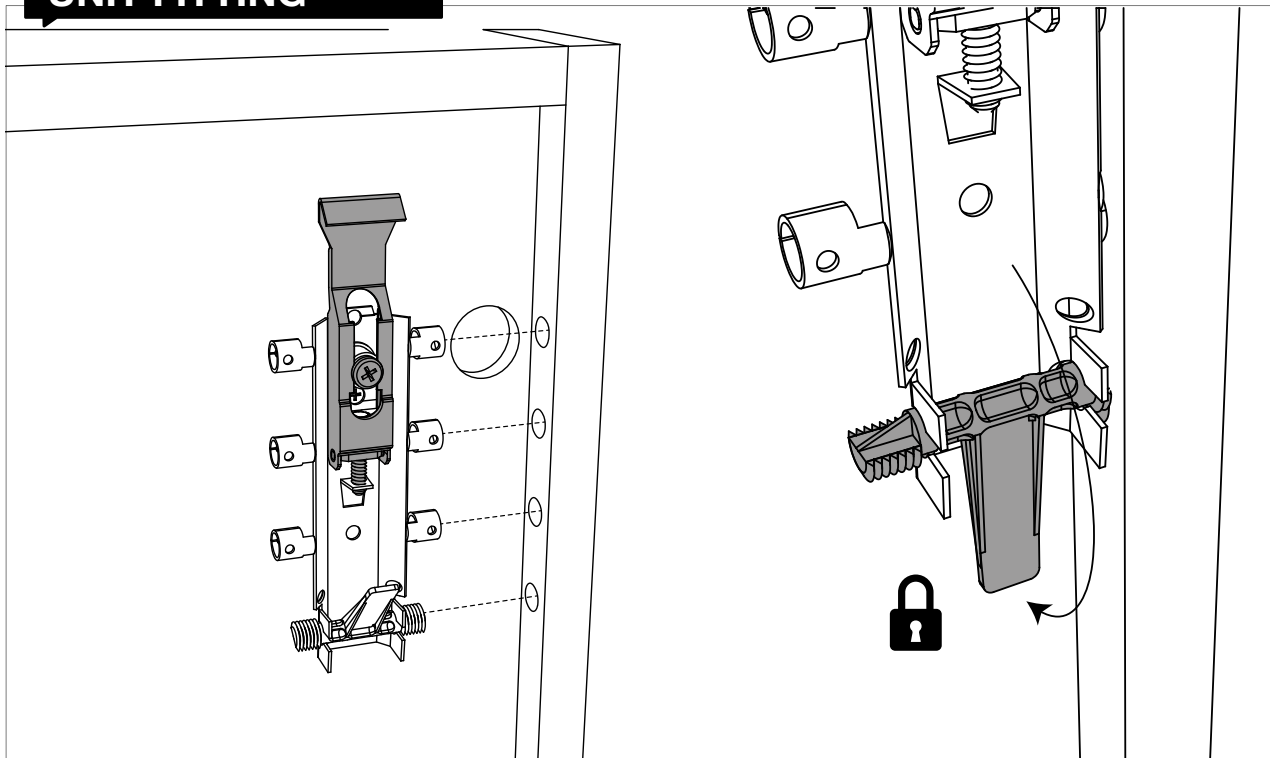
FITTING HANGING BRACKETS

FITTED FURNITURE

PRE ADJUSTMENT



UNIT FITTING



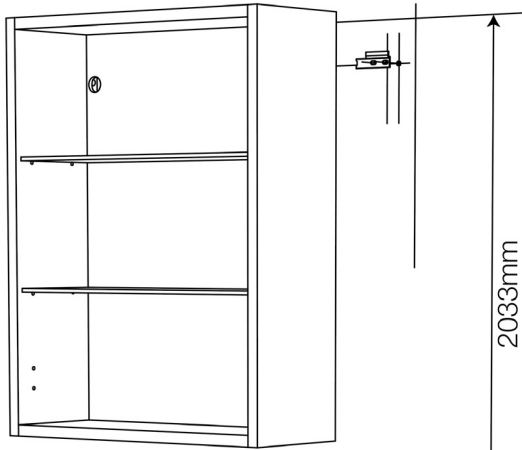


CALYPSO

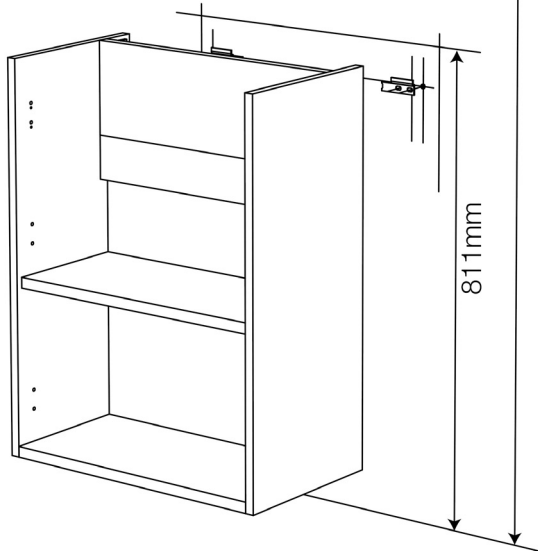
HANGING UNITS

FITTED FURNITURE

UNIT HEIGHTS



2033mm



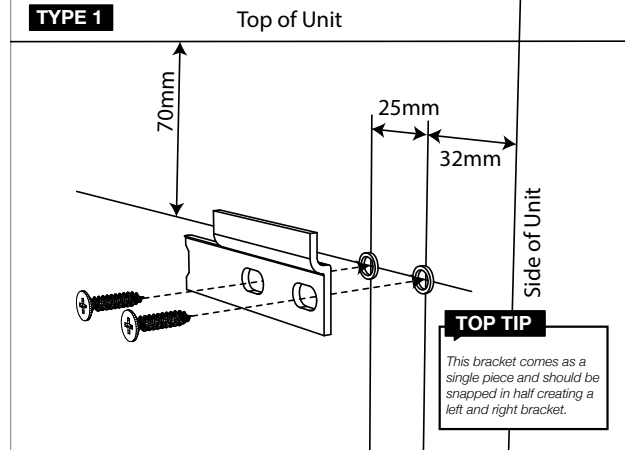
811mm

TOP TIP

Our standard heights for wall and base units. This gives optimum usability from Calypso furniture.

BRACKET POSITIONING

TYPE 1

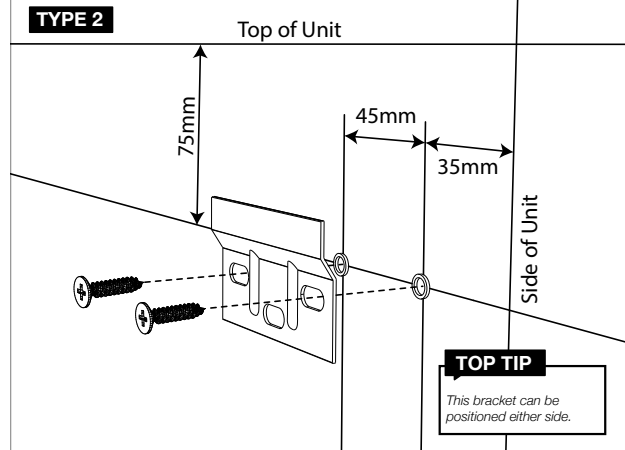


TOP TIP

This bracket comes as a single piece and should be snapped in half creating a left and right bracket.

BRACKET POSITIONING

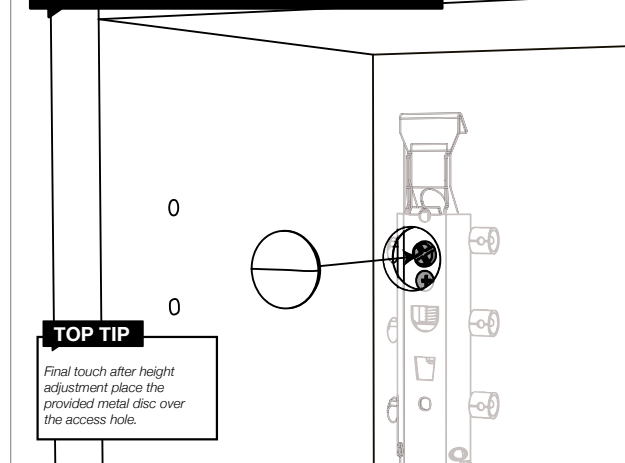
TYPE 2



TOP TIP

This bracket can be positioned either side.

FINISHING TOUCH



TOP TIP

Final touch after height adjustment place the provided metal disc over the access hole.