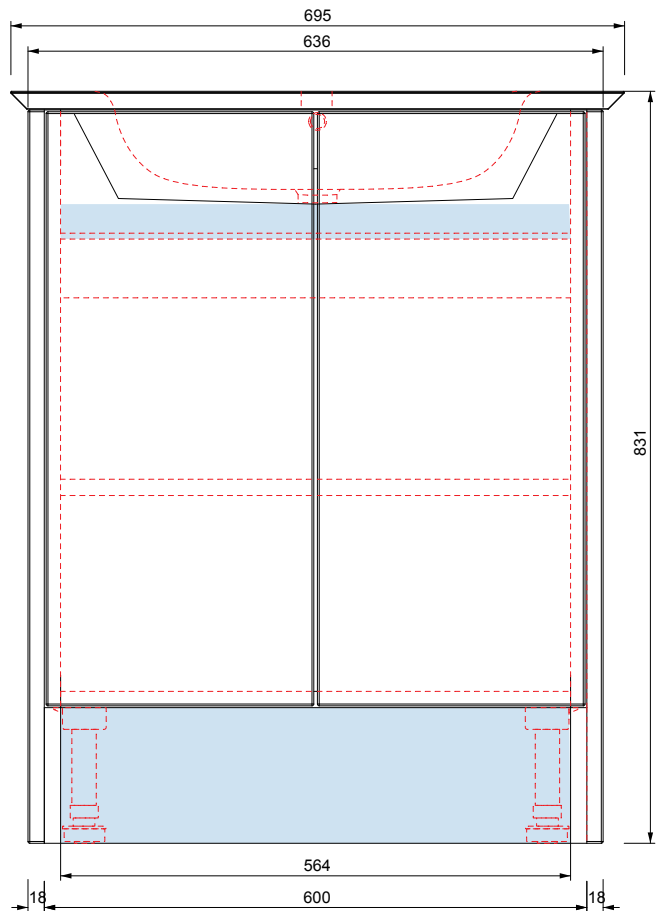
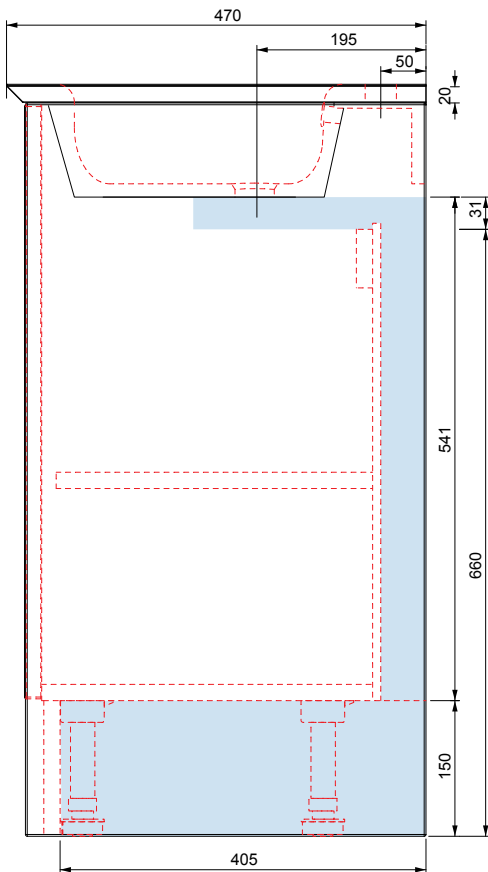


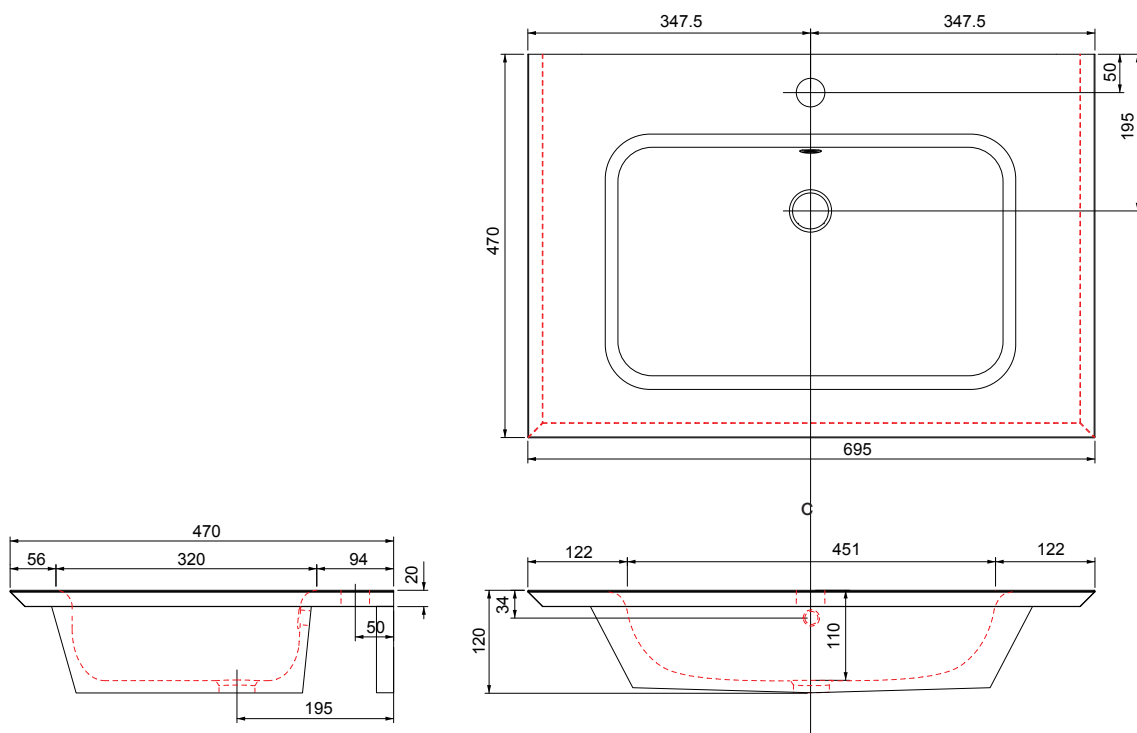


PRODUCT	WASHSTAND
UNIT SIZE	636w x 445d x 811h
BASIN	BANARI CERAMIC
BASIN SIZE	695w x 470d x 20h

FITTING ADVICE

- The shaded areas indicate the clear voids for the running of services.
- Secure to wall using angle brackets supplied. The wall hanging brackets should not be used.
- All wall to carcass and wall to basin joints should be sealed with silicone
- All dimensions are in mm.





CERAMIC BASINS

Ceramic Basins are made out of liquefied fireclay which is poured into a mould and allowed to set before being hand finished. A ground glass glaze would typically be sprayed over the basin before the final firing.

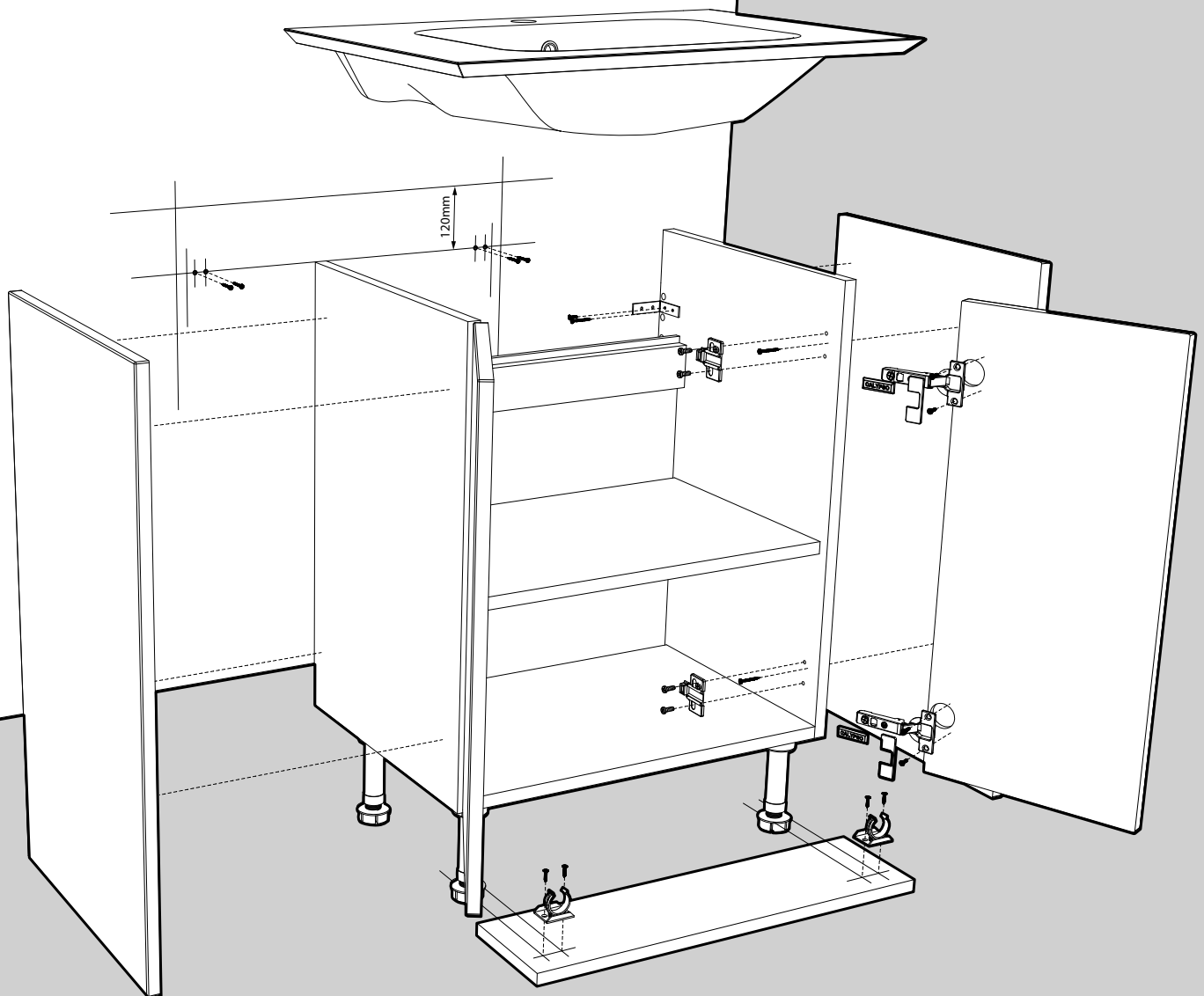
This long-lasting, durable material suits a simple and minimalistic bathroom suite as well as a traditional Victorian look. Stains are easily removed and ceramic is generally easy to clean to maintain a shiny appearance. The slight ripples occasionally seen along its surface are often mistaken for flaws these are actually part of the ceramic basins characteristics.



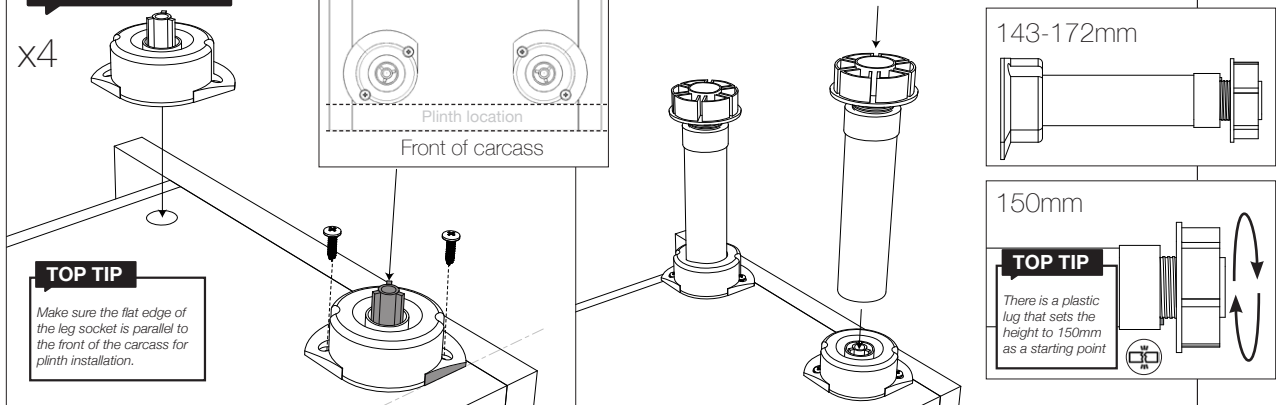
Please read in conjunction with the Assembly and Installation Instructions on page 4.

1. Fit Leg Sockets, Legs and Hinge Back Plates to the carcass as shown.
2. Remove the Inner Upper Panel at the rear of the carcass and discard.
3. Fit 'L' Brackets (from the 7410 Fixing Kit) to the carcass as shown. Note – the 'L' Brackets should be fitted 120mm down from the top of the carcass.
4. Fit End Panels to Carcass ensuring they are flush with the top and rear of the carcass sides.
5. Fix assembled unit to the wall using fixings appropriate to the substrate ensuring it is square, level and plumb.
6. Secure basin to unit and wall by applying a bead of silicone along the top of the two end panels and to the rear of the basin. Sit the basin on the end panels and push firmly to the wall.
7. Seal around the carcass and basin where they abut the wall with silicone.
8. Fit plinth and doors.

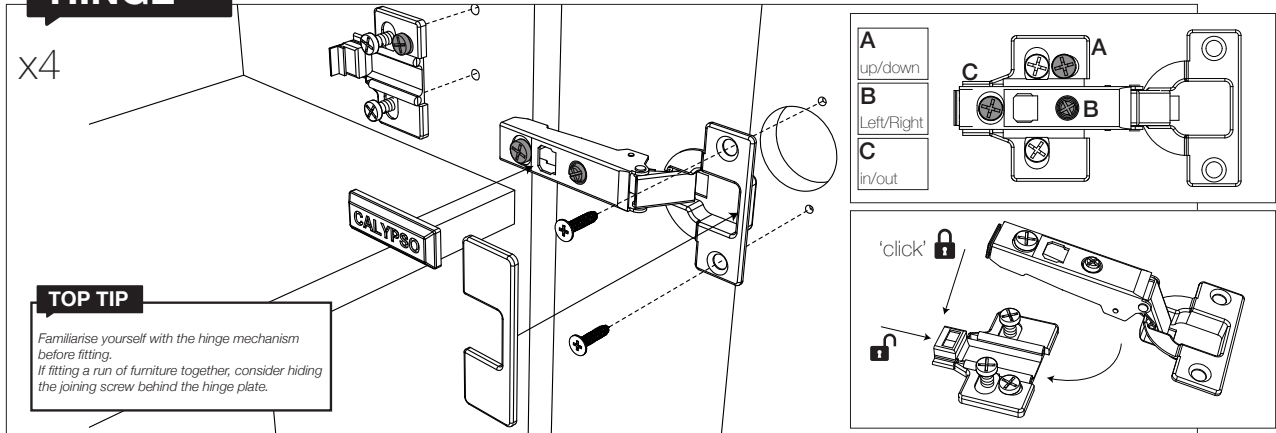
N.B: The Hanging Bracket Set supplied in the Carcass Fittings Pack is not suitable for the Washstand Unit and should be discarded. Please use the 7410 Fixing Kit supplied.



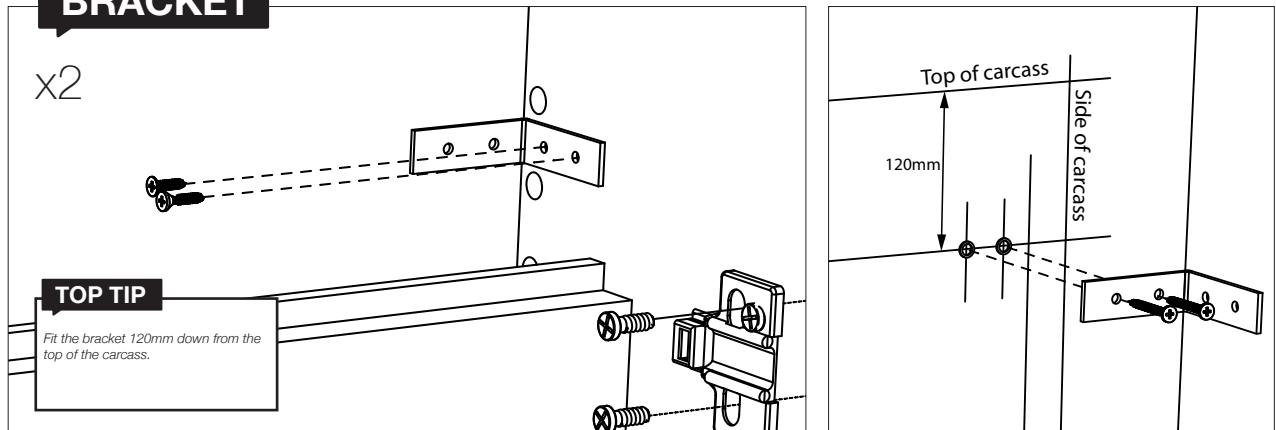
LEGS



HINGE



BRACKET



PLINTH

